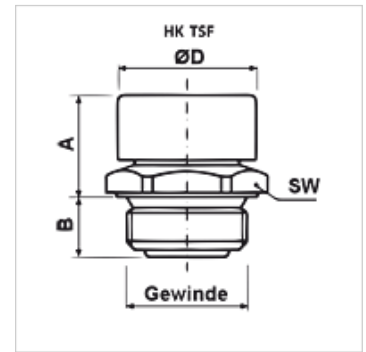
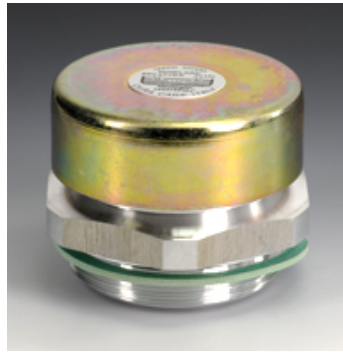


# HK TSF

## Tank venting filters

### Properties

<b>Design</b>	Screw-in plug with ventilation-filter bronze 40 µm with seal
<b>Temp. range</b>	-20 °C to +100 °C
<b>Material</b>	Steel



### Description

Suitable also for dusty environments

### Item

Identification	Thread	A (mm)	B (mm)	Ø D (mm)	AF (mm)	Weight (kg)
HK TSF 1 G14	G 1/4"	17	8	17	17	0,01
HK TSF 2 G38	G 3/8"	19	10	22	22	0,03
HK TSF 3 G12	G 1/2"	21	12	26	27	0,04
HK TSF 4 G34	G 3/4"	24	14	30	32	0,06
HK TSF 5 G1	G 1"	29	16	38	40	0,08
HK TSF 6 G114	G 1.1/4"	33	16	50	50	0,10
HK TSF 7 G112	G 1.1/2"	35	16	55	55	0,12
HK TSF 8 G2	G 2"	40	16	70	70	0,14
HK TSF 1 M1415	M 14 x 1.5	17	8	17	17	0,01
HK TSF 2 M1615	M 16 x 1.5	19	10	22	22	0,03
HK TSF 3 M1815	M 18 x 1.5	19	10	22	22	0,04
HK TSF 4 M2015	M 20 x 1.5	21	12	24	24	0,06
HK TSF 5 M2215	M 22 x 1.5	21	12	26	27	0,06
HK TSF 6 M2420	M 24 x 2	24	12	30	30	0,10
HK TSF 7 M3020	M 30 x 2	25	14	30	36	0,12
HK TSF 8 M3320	M 33 x 2	29	16	38	40	0,14

AF = Width across flats