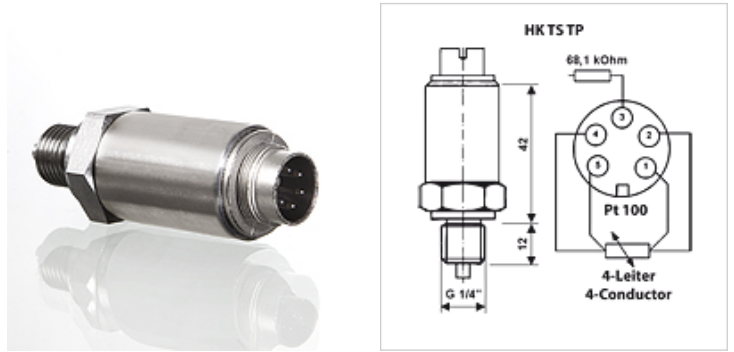


HK TS TP

Temperature sensor

Properties

Material	Stainless steel
Use	For gauge HK PTQCheck



Description

Measurement range -50 °C to +120 °C
Measuring accuracy ± 0.2 °C
Outer thread 1/4" fitting
Output signal 4 to 20 mA

Ordering information

Further accessories and gauges with additional options available on request.

Item	Identification	Measuring range	Pressure max. (bar)	Overload pressure max. (bar)	Connection	Weight (kg)
	HK TS TP 140	-50 to +120 °C	400	420	G 1/4" - male thread	0,1

Accessory for following products

HK PTQ CHECK Digital hand-held gauge, 5-channels

Additional elements

HK PML	Single instrumentation cable
HK PQT	Combination instrumentation cable