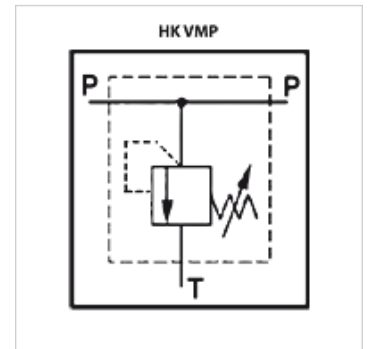


HK VMP BL

VMP BL pressure relief valve

Properties

Design	direct-controlled
Material	Inside parts of steel
Operating pressure	max. 350 bar



Note

These valves must be set according to the application.

Item

Identification	Setting	Connections P + T	Pressure setting range bar	Q max. (L/min)	A (mm)	B (mm)	D (mm)	E (mm)	F (mm)	G (mm)	Depth (mm)	Material	Z (mm)	Weight (kg)
HK VMP BL 03 14 V	Handwheel	G 1/4"	50 - 220	10	60	60	48	14	30	32	30	Aluminium	6,5	0,42
HK VMP BL 05 38 V	Handwheel	G 3/8"	50 - 220	35	60	70	35	18	48	34	35	Aluminium	6,5	0,48
HK VMP BL 10 12 V	Handwheel	G 1/2"	50 - 220	60	70	78	39	20	58	40	35	Aluminium	6,5	0,52
HK VMP BL 20 34 V	Handwheel	G 3/4"	50 - 220	100	70	100	50	22	54	57	50	Aluminium	8,5	0,67
HK VMP BL 20 100 V	Handwheel	G 1"	50 - 220	100	85	120	63	30	65	65	60	Aluminium	8,5	0,86
HK VMP BL 05 38 SV	Handwheel	G 3/8"	180 - 350	35	60	70	35	18	48	34	35	Steel	6,5	0,60
HK VMP BL 10 12 S V	Handwheel	G 1/2"	180 - 350	60	70	78	39	20	58	40	35	Steel	6,5	1,00
HK VMP BL 20 100 S V	Handwheel	G 1"	180 - 350	100	85	120	63	30	65	65	60	Steel	8,5	4,50
HK VMP BL 20 100	Screw	G 1"	50 - 220	100	85	120	63	30	65	65	60	Aluminium	8,5	0,86
HK VMP BL 20 100 S	Screw	G 1"	180 - 350	100	85	120	63	30	65	65	60	Steel	8,5	4,80

Material applies to the housing

Accessories

HK VMP BL F	Spring for VMPBL pressure relief valve
-------------	--