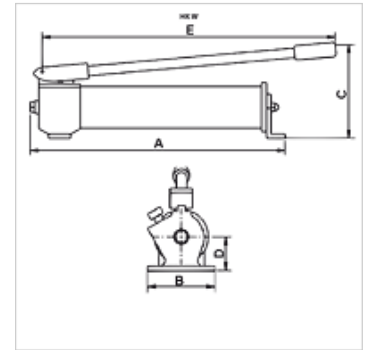


# HK W / HK X

## Hand pump 700 bar

### Properties

<b>Design</b>	internal pressure control valve
<b>Operating pressure</b>	max. 700 bar
<b>Connections</b>	3/8" Female NPT



### Note

"W" hand pumps for actuation of single-acting cylinders, one port

"X" hand pumps with control valve for actuation of double-acting cylinders, two ports

Attention: Please observe separate safety precautions for working with 700 bar equipment (see technical information)!

### Description

The use of 2-stage pumps is recommended for cylinders with large oil volumes.

Hand lever can be used as carrying handle after locking.

Item	Identification	useful oil volume (cc)	Levels	Volume level 1 max. (cc)	Volume level 2 max. (cc)	Pressure level 1 max. (bar)	Pressure level 2 max. (bar)	A (mm)	B (mm)	C (mm)	D (mm)	E (mm)	Weight (kg)
	HK W 10707	660,0	1	2,6	-	700	-	500	100	150	40	560	5,0
	HK W 20707	660,0	2	8,1	2,0	20	700	500	100	150	40	560	5,0
	HK W 11207	1200,0	1	2,6	-	700	-	545	100	175	40	560	6,0
	HK W 21207	1200,0	2	8,1	2,0	20	700	545	100	175	40	560	6,0
	HK W 22307	2200,0	2	13,2	2,2	20	700	560	106	210	55	560	11,0
	HK X 02307	2200,0	2	13,2	2,2	20	700	625	106	210	55	560	14,0

### Accessories

NY 2100	Thermoplastic extreme pressure hose
GKS	Rubber antikink protection
PNY 2100 HN	Swage nipple, AGN
PHY 2100	Swage ferrule, NY 2100
SKL HN SP	Screwed coupling, loose half
SKL ZUBS SP	Dust protection for SKL...SP
SKF IN SP	Screwed coupling fixed half
SKF ZUBS SP	Dust protection for SKF...SP