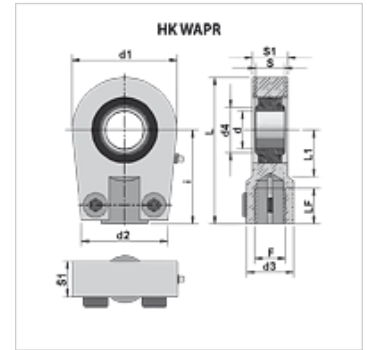
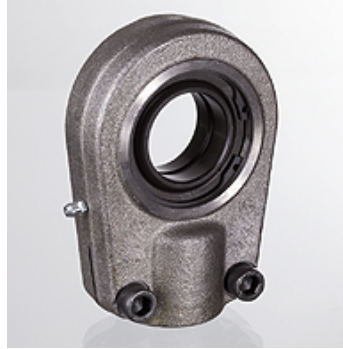


HK WAPR

Pivot yoke with regreasable bearings

Properties

Design	clampable
Material	Steel ST 52.3



Ordering information

Further sizes and types of pivot bearing available on request.

Item															
Identification	d	d1	d2	d3	d4	F	i	L	L1	S1	S2	LF	S	allowable dyn. load	Weight
	(mm)	(mm)	(mm)	(mm)	(mm)		(mm)	(mm)	(mm)	(mm)	(mm)	(mm)	(mm)	(kN)	(kg)
HK WAPR 020 U	20	56	46	25	24	M 16x1.5	50	80	25	19	17	17	16	30	0,44
HK WAPR 025 U	25	56	46	25	29	M 16x1.5	50	80	28	23	21	17	20	48	0,47
HK WAPR 030 U	30	64	50	32	34	M 22x1.5	60	94	30	28	26	23	22	62	0,77
HK WAPR 035 U	35	78	66	40	40	M 28x1.5	70	112	38	30	28	29	25	80	1,24
HK WAPR 040 U	40	94	76	49	45	M 35x1.5	85	135	45	35	33	36	28	100	2,12
HK WAPR 050 U	50	117	90	61	56	M 45x1.5	105	168	55	40	37	46	35	156	3,74
HK WAPR 060 U	60	130	120	75	67	M 58x1.5	130	200	65	50	46	59	44	245	6,49
HK WAPR 070 U	70	154	130	86	79	M 65x1.5	150	232	75	55	51	66	49	315	9,80
HK WAPR 080 U	80	176	160	105	89	M 80x2	170	265	80	60	55	81	55	400	14,40
HK WAPR 090 U	90	206	180	124	98	M 100x2	210	322	90	65	60	101	60	490	23,50