

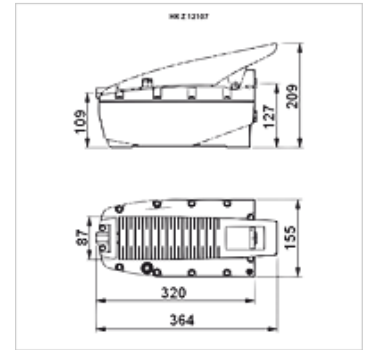
# HK Z PNEU

Pneumo-hydraulic pump 700 bar

**HANSA FLEX**

## Properties

<b>Design</b>	double-acting with control valve internal pressure control valve
<b>Operating pressure</b>	max. 700 bar
<b>Connections</b>	air connection 1/4" NPT Female
<b>Material</b>	Housing: Plastic
<b>Use</b>	For actuation of 700 bar cylinders



## Note

Attention: Please observe separate safety precautions for working with 700 bar equipment (see technical information)!

## Description

Pneumo-hydraulic pumps develop an oil pressure of 700 bar with an air pressure of only 7 bar

Pump maintains the pressure in rest position

Actuation of the pedal by hand or foot

## Item

Identification	useful oil volume (cc)	Type	Pressure max. (bar)	Weight (kg)
HK Z 12107	2100,0	single-acting	700	7,5
HK Z 22107	2100,0	double-acting	700	7,0
HK Z 14007	4000,0	single-acting	700	14,4

## Accessories

NY 2100	Thermoplastic extreme pressure hose
GKS	Rubber antikink protection
PNY 2100 HN	Swage nipple, AGN
PHY 2100	Swage ferrule, NY 2100
SKL HN SP	Screwed coupling, loose half
SKL ZUBS SP	Dust protection for SKL...SP
SKF IN SP	Screwed coupling fixed half
SKF ZUBS SP	Dust protection for SKF...SP