

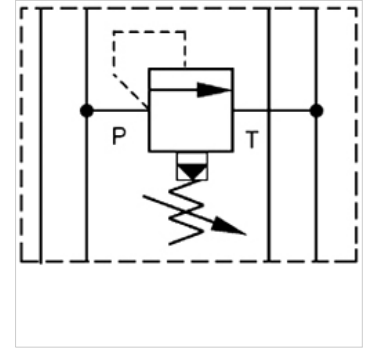
HK ZP 25 DB

Pressure relief valve

HANSA FLEX

Properties

Design	Sandwich body valve pilot-controlled
Operating pressure	max. 350 bar
Volumetric flow	max. 230 l/min
Connection	ISO/Cetop 08 NG25



Note

These valves must be set according to the application.

Description

Sandwich body valve for constructing sandwich arrangements with ISO/Cetop 08 size 25 valves

Ordering information

Further sandwich body valves available on request

Item					
Identification	acts in channel	Pressure setting range min. (bar)	Pressure setting range max. (bar)	Plate height (mm)	Weight (kg)
HK ZP 25 DB 12 P 15	P	7	105	50	11,5
HK ZP 25 DB 12 P 50	P	35	350	50	11,5
HK ZP 25 DB 12 A 15	A	7	105	50	11,5
HK ZP 25 DB 12 A 50	A	35	350	50	11,5