

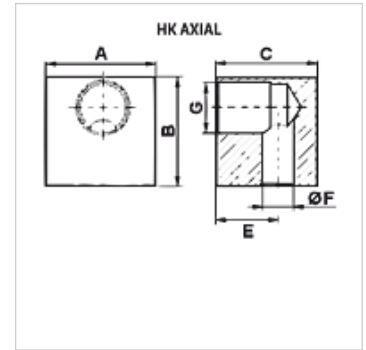
HK AXIAL

Axial oil fitting

Properties

Material Steel S355J0 (Fe510C)

Use axial connector for hydraulic cylinders



Item

Identification	A (mm)	B (mm)	C (mm)	E (mm)	G	Ø F (mm)	Weight (kg)
HK 092 AXIAL	25	25	30	14,0	G 1/4"	8	0,20
HK 093 AXIAL	30	30	30	15,0	G 3/8"	8	0,20
HK 094 AXIAL 1/2	35	35	40	24,5	G 1/2"	12	0,30
HK 098 AXIAL	30	30	30	17,0	M 16 x 1.5	8	0,30