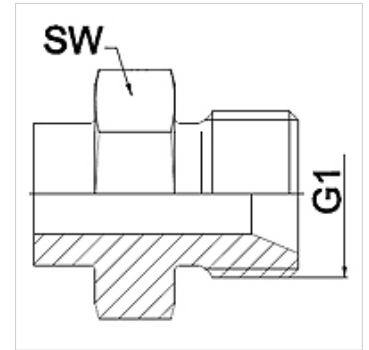


Properties

Application	Connection fitting for metal hoses
Connection 1	BSP external thread, cylindrical
Sealing form 1	60° inner cone
Standard	ISO 228-1 ISO 8434-6 BS 5200
Short code	AGR
Construction	straight
Material	Stainless steel



Note

Width across flats values are listed for reference purposes!

Ordering information

Other designs available on request

Item

Identification	DN	PN (bar)	G1	AF (mm)
WA 006 HB VA	6	350	G 1/4"	19
WA 010 HB VA	10	350	G 3/8"	22
WA 013 HB VA	13	315	G 1/2"	27
WA 016 HB VA	16	315	G 5/8"	30
WA 020 HB VA	20	250	G 3/4"	32
WA 025 HB VA	25	200	G 1"	41
WA 032 HB VA	32	160	G 1.1/4"	50
WA 040 HB VA	40	125	G 1.1/2"	55
WA 050 HB VA	50	80	G 2"	70

Product versions

WA HB	Connector ... HB, steel, Steel
-------	--------------------------------