

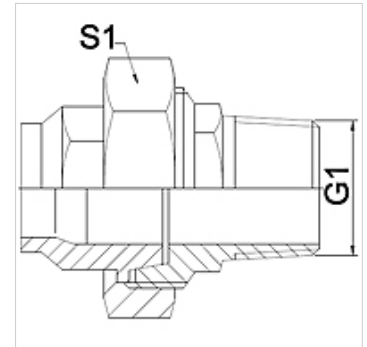
WA VC

Connector ... VC, malleable cast iron

HANSA FLEX

Properties

Application	Connection fitting for metal hoses
Connection 1	imperial outer thread, conical
Sealing form 1	conical seat
Standard	DIN EN 10226 / ISO 7-1
Application	soldered variant temperature resistant up to 200 °C
Construction	straight
Design	3-part threaded connection
Material	Malleable cast iron



Note

Width across flats values are listed for reference purposes!

The specified working pressure PN(bar) relates to the working temperature of -20 °C to 120 °C. At working temperature of 120 °C to 200 °C the working pressure PN (bar) reduces to 22,7 bar.

Ordering information

Other designs available on request

Item

Identification	DN	PN (bar)	G1	S1 (mm)
WA 006 VC	6	25	R 1/4"	28,0
WA 010 VC	10	25	R 3/8"	32,0
WA 013 VC	13	25	R 1/2"	39,0
WA 020 VC	20	25	R 3/4"	48,0
WA 025 VC	25	25	R 1"	55,0
WA 032 VC	32	25	R 1.1/4"	67,0
WA 040 VC	40	25	R 1.1/2"	74,0
WA 050 VC	50	25	R 2"	90,0

Product versions

WA VC RG	Connector ... VC, red bronze, Red bronze
WA VC VA	Connector ... VC, VA, Stainless steel