

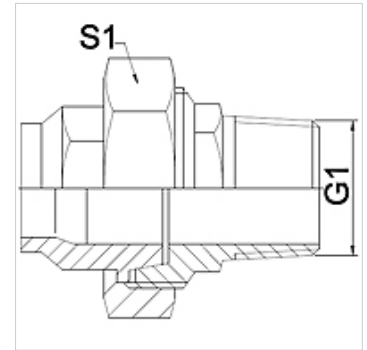
WA VC RG

Connector ... VC, red bronze

HANSA FLEX

Properties

Application	Connection fitting for metal hoses
Connection 1	imperial outer thread, conical
Sealing form 1	conical seat
Standard	DIN EN 10226 / ISO 7-1
Application	soldered variant temperature resistant up to 200 °C
Construction	straight
Design	3-part threaded connection
Material	Red bronze



Note

Width across flats values are listed for reference purposes!

Ordering information

Other designs available on request

Item

Identification	DN	G1	S1 (mm)
WA 013 VC RG	13	R 1/2"	28,0
WA 020 VC RG	20	R 3/4"	32,0
WA 025 VC RG	25	R 1"	42,0
WA 032 VC RG	32	R 1.1/4"	50,0
WA 040 VC RG	40	R 1.1/2"	55,0
WA 050 VC RG	50	R 2"	70,0

Product versions

WA VC	Connector ... VC, malleable cast iron, Malleable cast iron
WA VC VA	Connector ... VC, VA, Stainless steel