

KF-DI

O-ring, Aluminium/FKM (FPM)

Properties

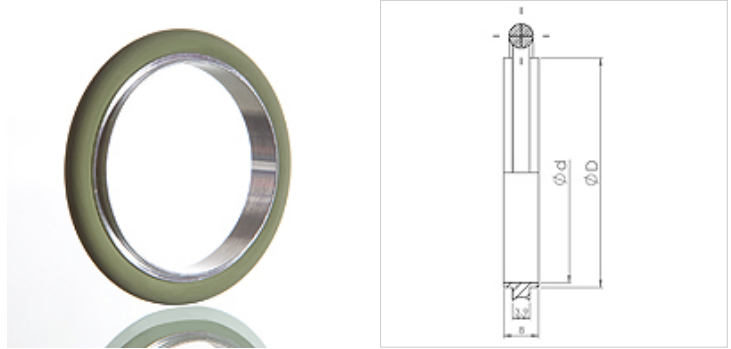
Application Sealing components for small flange connections

Design Aluminium centering ring with FKM (FPM) O-ring

Standard DIN 28403
ISO 2861

Material Aluminium eccentric ring
O-Ring: FKM (FPM)

Temp. range Aluminium from -156 °C to 150 °C
FKM (FPM) von -20 °C bis 200 °C



Note

Pressure range from 10–7 mbar to 2.5 bar

Ordering information

Other designs available on request

Item

Identification	DN	D (mm)	d (mm)
KF-DI 010	10	12,0	10,0
KF-DI 016	16	17,0	16,0
KF-DI 020	20	22,0	20,0
KF-DI 025	25	26,0	25,0
KF-DI 032	32	34,0	32,0
KF-DI 040	40	41,0	40,0
KF-DI 050	50	52,0	50,0