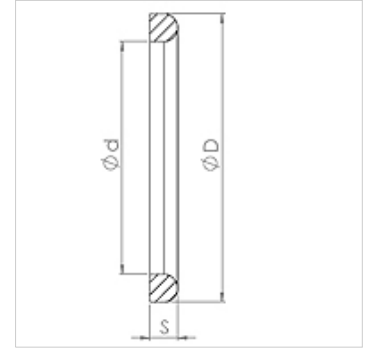


# LM-DI PT

PTFE gasket for use with foodstuffs

## Properties

<b>Application</b>	Sealing ring for thread sockets for use with foodstuffs
<b>Design</b>	flattened sealing ring on one side
<b>Standard</b>	DIN 11851
<b>Material</b>	PTFE
<b>Temp. range</b>	from -200 °C to 260 °C



## Ordering information

Other designs available on request

## Item

Identification	DN	D (mm)	d (mm)	S (mm)
LM-DI 010 PT	10	20,0	12,0	4,5
LM-DI 013 PT	13	26,0	18,0	4,5
LM-DI 020 PT	20	33,0	23,0	4,5
LM-DI 025 PT	25	40,0	30,0	5,0
LM-DI 032 PT	32	46,0	36,0	5,0
LM-DI 040 PT	40	52,0	42,0	5,0
LM-DI 050 PT	50	64,0	54,0	5,0
LM-DI 065 PT	65	81,0	71,0	5,0
LM-DI 080 PT	80	95,0	85,0	5,0
LM-DI 100 PT	100	114,0	104,0	6,0

## Spare part for following products

TUEG LMH VA Dairy coupling male thread, with smooth tail, stainless steel