

KLEMMSCHEL

Clamp, Aluminium

HANSA FLEX

Properties

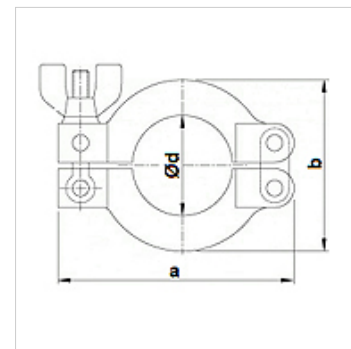
Application Clamping components for small flange connections

Design Clamp aluminium

Standard DIN 28403
ISO 2861

Material Aluminium

Temp. range Aluminium from -156 °C to 150 °C



Note

Pressure range from 10–7 mbar to 2.5 bar

Ordering information

Other designs available on request

Item

Identification	Width (mm)	a (mm)	b (mm)	Ø d (mm)
KLEMMSCHEL 010/16	17,0	63,0	45,0	22,0
KLEMMSCHEL 020/25	17,0	73,0	52,0	32,0
KLEMMSCHEL 032/40	17,0	93,0	70,0	47,0
KLEMMSCHEL 050	22,0	114,0	95,0	62,0