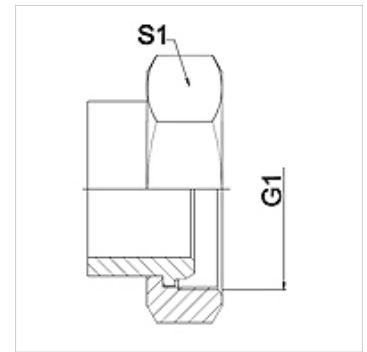


WA A

Connector ... A, steel

Properties

Application	Connection fitting for metal hoses
Connection 1	metric nut thread
Sealing form 1	Spherical liner
Standard	DIN 3863
Short code	DKM
Construction	straight
Material	Steel



Note

Welded variant in stainless steel only
Width across flats values are listed for reference purposes!

Ordering information

Other designs available on request

Item

Identification	DN	PN (bar)	G1	S1 (mm)
WA 020 A	20	63	M 30 x 1.5	36,0
WA 025 A	25	63	M 38 x 1.5	46,0
WA 032 A	32	63	M 45 x 1.5	55,0
WA 040 A	40	40	M 52 x 1.5	60,0
WA 050 A	50	40	M 65 x 2	70,0
WA 065 A	65	40	M 78 x 2	90,0

Product versions

WA A VA Connector ... A, VA, Stainless steel