

TRI KLAMMER VA

Clamp bracket, VA

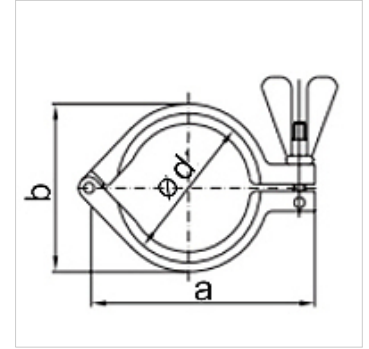
Properties

Application Clamping components for TRI-clamp connections

Standard DIN 32676

Design Clamp stainless steel

Material Stainless steel



Ordering information

Other designs available on request

Item

Identification	a (mm)	b (mm)	Ø d (mm)
TRI KLAMMER 34 VA	63,0	45,0	34,0
TRI KLAMMER 50.5 VA	88,0	64,0	50,5
TRI KLAMMER 64 VA	105,0	77,0	64,0
TRI KLAMMER 91 VA	137,0	104,0	91,0
TRI KLAMMER 119 VA	168,0	132,0	119,0