

HK LVK

Optical/electrical fill level indicator with temperature switch

HANSA FLEX

Properties

Tightening torque max. 10 N-m

Operating voltage max. 230V AC

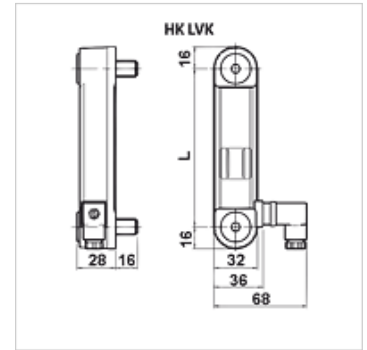
Temp. max. 80 °C

Operating pressure max. 1 bar

Media Mineral oils

Material Polyamide
Gasket: NBR

Scope of supply with hollow screws



Item

Identification	Thread mounting	L (mm)	Switching function	Switching point (°C)	Weight (kg)
HK LVK 10A M12 1T7 P1	2 x M12	76	NC contact	70	0,16
HK LVK 20A M12 1T7 P1	2 x M12	127	NC contact	70	0,18
HK LVK 30A M12 1T7 P1	2 x M12	254	NC contact	70	0,22

Accessory for following products

HK BAK RA BAKRA hydraulic tank

HK BEK BEK hydraulic tank (without cleaning hatch)

HK BSK BSK hydraulic tank (with cleaning hatch)