

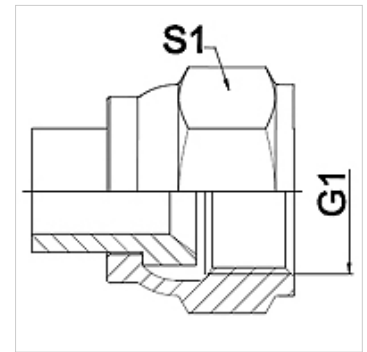
# WA AJ

Connector ... AJ, steel

**HANSA FLEX**

## Properties

<b>Application</b>	Connection fitting for metal hoses
<b>Connection 1</b>	UN/UNF nut threads
<b>Sealing form 1</b>	74° inner cone
<b>Standard</b>	SAE J514
<b>Short code</b>	DKJ
<b>Construction</b>	straight
<b>Material</b>	Steel



## Note

Welded variant in stainless steel only  
Width across flats values are listed for reference purposes!

## Ordering information

Other designs available on request

## Item

Identification	DN	PN (bar)	G1	S1 (mm)
WA 006 AJ	6	275	7/16"-20 UNF	14,0
WA 008 AJ	8	275	1/2"-20 UNF	17,0
WA 010 AJ	10	275	9/16"-18 UNF	19,0
WA 013 AJ	13	275	3/4"-16 UNF	24,0
WA 016 AJ	16	210	7/8" -14 UNF	27,0
WA 020 AJ	20	210	1.11/16" -12 UN	32,0
WA 025 AJ	25	170	1.5/16" -12 UN	41,0
WA 032 AJ	32	140	1.5/8" -12 UN	50,0
WA 040 AJ	40	105	1.7/8" -12 UN	60,0
WA 050 AJ	50	80	2.1/2" -12 UN	75,0

## Product versions

WA AJ VA Connector ... AJ, VA, Stainless steel