

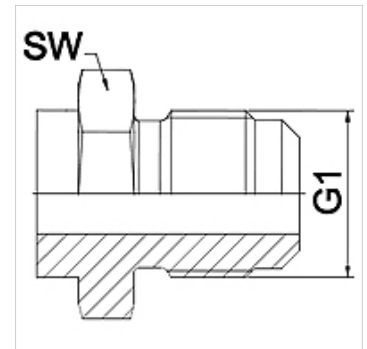
WA HJ

Connector ... HJ, steel

HANSA FLEX

Properties

Application	Connection fitting for metal hoses
Connection 1	UN/UNF external threads
Sealing form 1	74° outer cone
Standard	SAE J514
Short code	AGJ
Construction	straight
Material	Steel



Note

Welded variant in stainless steel only
Width across flats values are listed for reference purposes!

Ordering information

Other designs available on request

Item

Identification	DN	PN (bar)	G1	AF (mm)
WA 006 HJ	6	345	7/16"-20 UNF	14
WA 008 HJ	8	345	1/2"-20 UNF	14
WA 010 HJ	10	345	9/16"-18 UNF	19
WA 013 HJ	13	310	3/4"-16 UNF	22
WA 016 HJ	16	240	7/8" -14 UNF	24
WA 020 HJ	20	240	1.1/16" -12 UN	27
WA 025 HJ	25	210	1.5/16" -12 UN	36
WA 032 HJ	32	170	1.5/8" -12 UN	46
WA 040 HJ	40	140	1.7/8" -12 UN	50
WA 050 HJ	50	115	2.1/2" -12 UN	65

Product versions

WA HJ VA Connector ... HJ, VA, Stainless steel