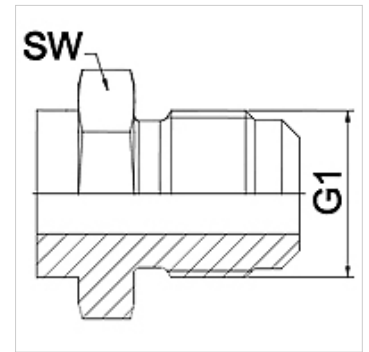


## Properties

<b>Application</b>	Connection fitting for metal hoses
<b>Connection 1</b>	UN/UNF external threads
<b>Sealing form 1</b>	74° outer cone
<b>Standard</b>	SAE J514
<b>Short code</b>	AGJ
<b>Construction</b>	straight
<b>Material</b>	Stainless steel



## Note

Width across flats values are listed for reference purposes!

## Ordering information

Other designs available on request

## Item

Identification	DN	PN (bar)	G1	AF (mm)
WA 006 HJ VA	6	345	7/16"-20 UNF	14
WA 008 HJ VA	8	345	1/2"-20 UNF	14
WA 010 HJ VA	10	345	9/16"-18 UNF	19
WA 013 HJ VA	13	310	3/4"-16 UNF	22
WA 016 HJ VA	16	240	7/8" -14 UNF	24
WA 020 HJ VA	20	240	1.1/16" -12 UN	27
WA 025 HJ VA	25	210	1.5/16" -12 UN	36
WA 032 HJ VA	32	170	1.5/8" -12 UN	46
WA 040 HJ VA	40	140	1.7/8" -12 UN	50
WA 050 HJ VA	50	115	2.1/2" -12 UN	65

## Product versions

WA HJ	Connector ... HJ, steel, Steel
-------	--------------------------------