

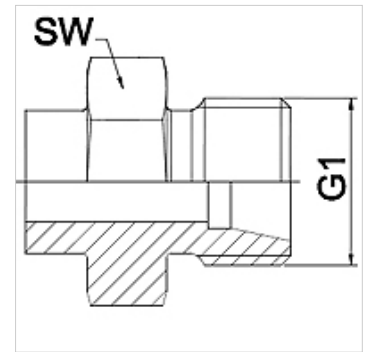
# WA HL

Connector ... HL, steel

**HANSA FLEX**

## Properties

<b>Application</b>	Connection fitting for metal hoses
<b>Connection 1</b>	metric cylindrical outer thread
<b>Sealing form 1</b>	24° inner cone
<b>Standard</b>	DIN 2353 ISO 8434-1
<b>Short code</b>	CEL
<b>Construction</b>	straight
<b>Series</b>	light
<b>Material</b>	Steel (weldable)



## Note

Width across flats values are listed for reference purposes!

## Ordering information

Other designs available on request

## Item

Identification	DN	PN (bar)	G1	Series	AF (mm)
WA 004 HL	4	250	M 12 x 1.5	6 L	14
WA 006 HL	6	250	M 14 x 1.5	8 L	17
WA 008 HL	8	250	M 16 x 1.5	10 L	17
WA 010 HL	10	250	M 18 x 1.5	12 L	19
WA 013 HL	13	250	M 22 x 1.5	15 L	22
WA 016 HL	16	160	M 26 x 1.5	18 L	27
WA 020 HL	20	160	M 30 x 2	22 L	32
WA 025 HL	25	100	M 36 x 2	28 L	41
WA 032 HL	32	100	M 45 x 2	35 L	46
WA 040 HL	40	100	M 52 x 2	42 L	55

## Product versions

WA HL VA Connector ... HL, VA, Stainless steel