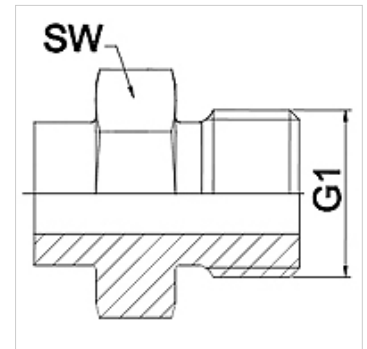


WA HR

Connector ... HR, steel

Properties

Application	Connection fitting for metal hoses
Connection 1	BSP external thread, cylindrical
Sealing form 1	flat sealing
Standard	ISO 228-1
Short code	AGR-Flat
Construction	straight
Material	Steel



Note

Welded variant in stainless steel only
Width across flats values are listed for reference purposes!

Ordering information

Other designs available on request

Item

Identification	DN	PN (bar)	G1	AF (mm)
WA 006 HR	6	350	G 1/4"	19
WA 010 HR	10	350	G 3/8"	22
WA 013 HR	13	315	G 1/2"	27
WA 016 HR	16	315	G 5/8"	30
WA 020 HR	20	250	G 3/4"	32
WA 025 HR	25	200	G 1"	41
WA 032 HR	32	160	G 1.1/4"	50
WA 040 HR	40	125	G 1.1/2"	55
WA 050 HR	50	80	G 2"	70

Product versions

WA HR VA Connector ... HR, VA, Stainless steel