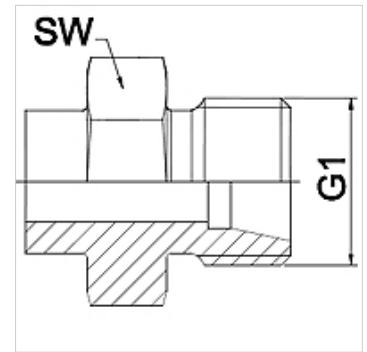


## Properties

|                       |                                    |
|-----------------------|------------------------------------|
| <b>Application</b>    | Connection fitting for metal hoses |
| <b>Connection 1</b>   | metric cylindrical outer thread    |
| <b>Sealing form 1</b> | 24° inner cone                     |
| <b>Standard</b>       | DIN 2353<br>ISO 8434-1             |
| <b>Short code</b>     | CES                                |
| <b>Construction</b>   | straight                           |
| <b>Series</b>         | heavy                              |
| <b>Material</b>       | Stainless steel                    |



## Note

Width across flats values are listed for reference purposes!

## Ordering information

Other designs available on request

## Item

| Identification | DN | PN (bar) | G1         | Series | AF (mm) |
|----------------|----|----------|------------|--------|---------|
| WA 004 HS VA   | 4  | 630      | M 16 x 1.5 | 8S     | 17      |
| WA 006 HS VA   | 6  | 630      | M 18 x 1.5 | 10 S   | 19      |
| WA 008 HS VA   | 8  | 630      | M 20 x 1.5 | 12 S   | 22      |
| WA 010 HS VA   | 10 | 630      | M 22 x 1.5 | 14 S   | 24      |
| WA 013 HS VA   | 13 | 400      | M 24 x 1.5 | 16 S   | 27      |
| WA 016 HS VA   | 16 | 400      | M 30 x 2   | 20 S   | 32      |
| WA 020 HS VA   | 20 | 400      | M 36 x 2   | 25 S   | 36      |
| WA 025 HS VA   | 25 | 250      | M 42 x 2   | 30 S   | 46      |
| WA 032 HS VA   | 32 | 250      | M 52 x 2   | 38 S   | 55      |

## Product versions

|       |   |
|-------|---|
| WA HS | Connector ... HS, steel, Steel (weldable) |
|-------|---|