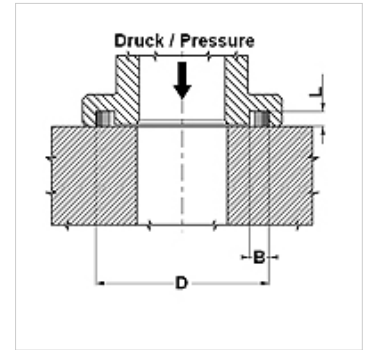
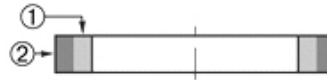


Properties

Operating pressure	to 420 bar (6000PSI)
Colour	yellow + black
Temp. min.	-35 °C
Temp. max.	110 °C
Media	Mineral oils
Installation	on SAE flange 3000 and 6000 PSI
Material	1) Polyurethane 57 Shore A (2) Polyurethane 95 Shore A



Description

Good extrusion resistance.
Long service life.
Easy assembly because the seal and flange adhere to each other.

Item

Identification	Flange size	D (mm)	e (mm)	B (mm)
SFS - 08	1/2"	25,4	2,85	4,2
SFS - 12	3/4"	31,8	2,85	4,2
SFS - 16	1"	39,7	2,85	4,2
SFS - 20	1.1/4"	44,5	2,85	4,2
SFS - 24	1.1/2"	53,8	2,85	4,2
SFS - 32	2"	63,4	2,85	4,2
SFS - 40	2.1/2"	76,2	2,85	4,2
SFS - 48	3"	91,9	2,85	4,2