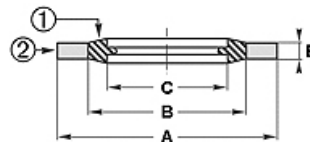


# 08BS 9

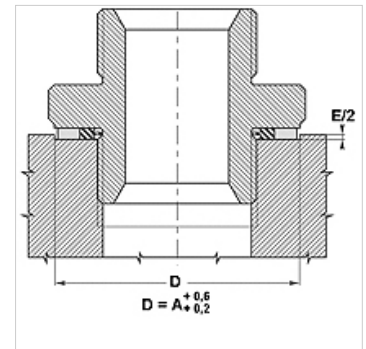
## Usit ring centred 08BS9

### Properties

<b>Design</b>	Usit ring
<b>Construction type</b>	self-centring
<b>Temp. min.</b>	-30 °C
<b>Temp. max.</b>	110 °C
<b>Installation</b>	with screws and connecting pieces
<b>Material</b>	(1) NBR (2) Cadmium-plated or passivated carbon steel



Toleranz / Tolerance				
Baureihe / Range	A	B	C	E
9; 92; 93	+0,13 0	+/-0,13	+/-0,13	+/-0,15



### Description

Perfect tightness.

Numerous applications possible in static and dynamic sectors, no distortion possible with rotational movements.

Numerous applications depending on material.

Available for metric, Whitworth and BSP threads.

### Item

Identification	for thread	for thread	for thread	A	A	B	B	C	E	C	E	Pressure PB
				(mm)	(mm)	(mm)	(mm)	(mm)	(mm)	(mm)	(mm)	(bar)
08BS 920	G 1/8"	3/8 inch	-	15,88	-	11,84	-	10,37	2,10	-	-	1500
08BS 921	G 1/4"	1/2 inch	-	20,57	-	15,21	-	13,74	2,10	-	-	1550
08BS 923	G 3/8"	-	-	23,80	-	18,75	-	17,28	2,10	-	-	1260
08BS 925	G 1/2"	13/16 inch	-	28,58	-	23,10	-	21,54	2,40	-	-	1150
08BS 926	G 5/8"	7/8 inch	-	31,75	-	24,97	-	23,49	2,40	-	-	1250
08BS 927	G 3/4"	1 inch	-	34,93	-	28,53	-	27,05	2,40	-	-	1060
08BS 929	G 7/8"	1 3/16 inch	-	38,10	-	32,29	-	30,81	2,40	-	-	900
08BS 930	G 1"	1 5/16 inch	-	42,80	-	36,88	-	33,89	3,40	-	-	790
08BS 932	G 1.1/4"	1 5/8 inch	-	52,38	-	45,93	-	42,93	3,40	-	-	690
08BS 933	G 1.1/2"	1 7/8 inch	-	58,60	-	51,39	-	48,44	3,40	-	-	690
08BS 936	G 2"	-	-	73,03	-	63,63	-	60,53	3,40	-	-	700
08BS 938	G 2 1/4"	-	-	79,50	-	69,98	-	66,68	3,25	-	-	670
08BS 939	G 2 1/2"	-	-	90,30	-	79,38	-	76,08	3,25	-	-	680
08BS 9202	-	-	M 4	7,00	-	5,40	-	4,50	1,00	-	-	1270
08BS 9204	-	-	M 5	10,00	-	7,40	-	5,70	1,00	-	-	1510
08BS 9203	-	-	M 5	9,00	-	6,80	-	5,70	1,00	-	-	1400
08BS 9206	-	-	M 6	10,00	-	8,00	-	6,70	1,00	-	-	1130
08BS 9207	-	-	M 6	11,00	-	8,20	-	6,70	1,00	-	-	1510
08BS 9212	-	-	M 8	13,00	-	10,00	-	8,70	1,00	-	-	1330
08BS 9213	-	-	M 8	14,00	-	10,40	-	8,70	1,00	-	-	1550
08BS 9215	-	-	M 9	13,30	-	10,50	-	9,30	1,00	-	-	1200
08BS 9216	-	-	M 10	16,00	-	12,00	-	10,35	2,00	-	-	1470
08BS 9217	-	-	M 10	16,00	-	12,40	-	10,70	1,50	-	-	1350
08BS 9218	-	-	M 10	18,00	-	12,40	-	10,70	1,50	-	-	1880
08BS 9221	-	-	M 11	19,10	-	13,50	-	11,80	1,50	-	-	1250
08BS 9222	-	-	M 12	18,00	-	14,40	-	12,70	1,50	-	-	1250
08BS 9225	-	-	M 13	22,00	-	15,40	-	13,70	1,50	-	-	1810
08BS 9227	-	-	M 14	22,00	-	16,40	-	14,70	1,50	-	-	1510
08BS 9229	-	-	M 16	24,00	24,0	18,40	18,4	16,70	1,50	16,7	1,5	1400
08BS 9230	-	-	M 17	24,00	-	19,20	-	17,40	1,50	-	-	1150
08BS 9232	-	-	M 18	26,00	-	20,40	-	18,70	1,50	-	-	1275
08BS 9233	-	-	M 20	28,00	-	22,40	-	20,70	1,50	-	-	1150
08BS 9236	-	-	M 22	30,00	-	24,40	-	22,70	2,00	-	-	1100
08BS 9238	-	-	M 24	32,00	-	26,40	-	24,70	2,00	-	-	1050
08BS 9239	-	-	M 26	35,00	-	28,40	-	26,70	2,00	-	-	1050
08BS 9240	-	-	M 27	36,00	-	29,00	-	27,70	2,00	-	-	1130
08BS 9243	-	-	M 33	42,00	-	35,80	-	33,70	2,00	-	-	900
08BS 9245	-	-	M 36	46,00	-	38,80	-	36,70	2,00	-	-	890