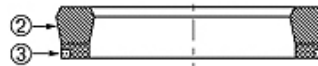
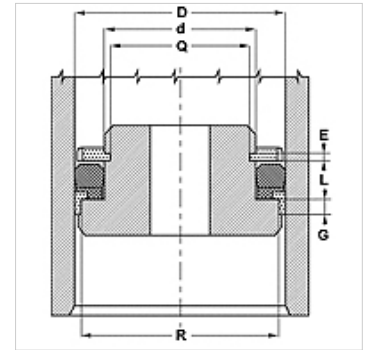


## Properties

<b>Design</b>	piston seal
<b>Operating pressure</b>	up to 500 bar
<b>Sliding speed max.</b>	0,5 m/s
<b>Temp. min.</b>	-30 °C
<b>Temp. max.</b>	110 °C
<b>Media</b>	Mineral oils Water emulsions
<b>Installation</b>	on one-piece pistons
<b>Material</b>	(2) Seal: fabric-reinforced NBR (3) Back ring: acetal resin
<b>Application</b>	Hydraulics



Toleranz / Tolerance							
D	d	L	R	P	G	Q	E
H11	±0,08	±0,2	±0,05	±0,1	±0,1	±0,08	±0,1



## Description

Low spatial requirement.  
High resistance to extrusion.

## Ordering information

For special operating conditions (fluid, temperature, pressure ...) please contact us.  
Alternative material possible: FPM.

## Item

Identification	D (mm)	d (mm)	L (mm)
<b>B 157 102-NEO</b>	40,00	26,0	9,4
<b>B 314 236-NEO</b>	80,00	60,0	14,5
<b>B 354 275-NEO</b>	90,00	70,0	14,5
<b>B 393 314-NEO</b>	100,00	80,0	14,5