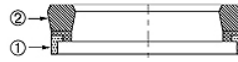
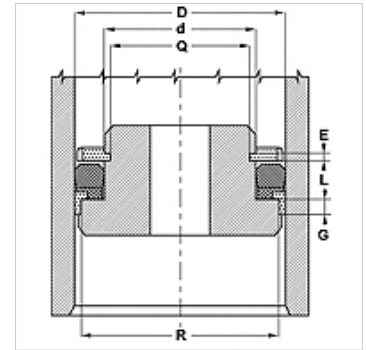


Properties

Design	piston seal
Operating pressure	up to 500 bar
Sliding speed max.	0,5 m/s
Temp. min.	-30 °C
Temp. max.	110 °C
Media	Mineral oils Water emulsions
Installation	on one-piece pistons
Material	(1) Guide ring: acetal resin (2) Seal: fabric-reinforced NBR
Application	Hydraulics



Toleranz / Tolerance							
D	d	L	R	P	G	Q	E
H11	±0,08	±0,2	±0,05	±0,1	±0,1	±0,08	±0,1



Description

Low spatial requirement.
High resistance to extrusion.

Ordering information

For special operating conditions (fluid, temperature, pressure ...) please contact us.
Alternative material possible: FPM.

Item

Identification	D (mm)	d (mm)	L (mm)	G (mm)	R (mm)
B 393 314-NWO	100,0	80,00	14,5	6,35	94,15
B 411 334-NWO	104,5	85,00	13,0	6,35	98,90
B 472 393-NWO	120,0	100,00	14,5	6,35	114,10