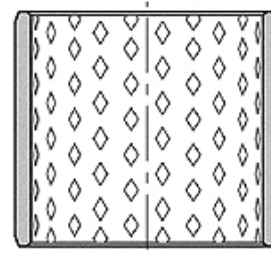
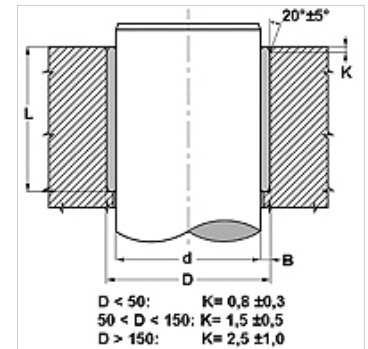


### Properties

<b>Design</b>	Multi-lubrication friction bearing in rolled bronze
<b>Construction type</b>	The bushes are suitable for rotational and oscillating movements
<b>pv</b>	for grease lubrication: 2.8 N/mm <sup>2</sup> x m/s for oil lubrication: 10 N/mm <sup>2</sup> x m/s
<b>Permissible load</b>	static: 140 N/mm <sup>2</sup> Rotation, oscillation: 70 N/mm <sup>2</sup>
<b>Sliding speed max.</b>	1,0 m/s
<b>Friction coefficient</b>	lubricated: 0.05 to 0.15
<b>Thermal expansion coefficient</b>	11 x 10 <sup>-6</sup> K <sup>-1</sup>
<b>Coefficient of thermal conductivity</b>	> 60 W (m x K) <sup>-1</sup>
<b>Temp. min.</b>	-50 °C
<b>Temp. max.</b>	150 °C
<b>Surface pressure</b>	140 (≤ N/mm <sup>2</sup> )
<b>Material</b>	CuSn8 bronze
<b>Application</b>	Hydraulics
<b>Standard</b>	ISO 3547 DIN 1494



Toleranz / Tolerance		
d	D	L
f7	H7	±0,25



### Note

An initial lubrication with grease is recommended and continual lubrication significantly increases the service life of the friction bearing.  
 Peak to valley height of shaft to be observed  $Ra < 0.8 \mu\text{m}$ .  
 Hardness of shaft to be observed  $150 < HB < 600$ .

### Description

Maintenance-free operation.  
 Multi-lubricationable.  
 Not suitable for dirty conditions.  
 Shock and vibration resistant.  
 High permitted load.  
 Good friction characteristics.  
 No water absorption.  
 low play during operation.  
 Extremely space-saving.

### Item

Identification	d (mm)	D (mm)	L (mm)
BK 090-10 10	10	12	10
BK 090-14 15	14	16	15
BK 090-15 15	15	17	15
BK 090-16 20	16	18	20
BK 090-16 25	16	18	25
BK 090-18 15	18	21	15
BK 090-20 15	20	23	15
BK 090-20 20	20	23	20
BK 090-20 25	20	23	25
BK 090-20 30	20	23	30
BK 090-22 20	22	25	20
BK 090-22 25	22	25	25
BK 090-22 30	22	25	30
BK 090-25 15	25	28	15
BK 090-25 20	25	28	20
BK 090-25 25	25	28	25
BK 090-25 30	25	28	30
BK 090-28 20	28	31	20
BK 090-28 25	28	31	25
BK 090-28 30	28	31	30
BK 090-30 20	30	34	20
BK 090-30 25	30	34	25



# BK 090

Sliding bush BK090

Item			
Identification	d (mm)	D (mm)	L (mm)
BK 090-30 30	30	34	30
BK 090-30 40	30	34	40
BK 090-32 20	32	36	20
BK 090-32 30	32	36	30
BK 090-32 40	32	36	40
BK 090-35 15	35	39	15
BK 090-35 20	35	39	20
BK 090-35 30	35	39	30
BK 090-35 35	35	39	35
BK 090-35 40	35	39	40
BK 090-35 50	35	39	50
BK 090-40 20	40	44	20
BK 090-40 25	40	44	25
BK 090-40 30	40	44	30
BK 090-40 40	40	44	40
BK 090-40 50	40	44	50
BK 090-45 20	45	50	20
BK 090-45 25	45	50	25
BK 090-45 30	45	50	30
BK 090-45 40	45	50	40
BK 090-45 50	45	50	50
BK 090-45 60	45	50	60
BK 090-50 30	50	55	30
BK 090-50 40	50	55	40
BK 090-50 50	50	55	50
BK 090-50 60	50	55	60
BK 090-55 20	55	60	20
BK 090-55 40	55	60	40
BK 090-55 50	55	60	50
BK 090-55 60	55	60	60
BK 090-60 30	60	65	30
BK 090-60 35	60	65	35
BK 090-60 40	60	65	40
BK 090-60 50	60	65	50
BK 090-60 60	60	65	60
BK 090-65 40	65	70	40
BK 090-65 50	65	70	50
BK 090-65 60	65	70	60
BK 090-70 40	70	75	40
BK 090-70 50	70	75	50
BK 090-70 60	70	75	60
BK 090-70 70	70	75	70
BK 090-70 80	70	75	80
BK 090-75 40	75	80	40
BK 090-75 60	75	80	60
BK 090-75 80	75	80	80
BK 090-80 40	80	85	40
BK 090-80 50	80	85	50
BK 090-80 60	80	85	60
BK 090-80 80	80	85	80
BK 090-85 40	85	90	40
BK 090-85 80	85	90	80
BK 090-90 50	90	95	50
BK 090-90 60	90	95	60
BK 090-90 90	90	95	90
BK 090-100 50	100	105	50
BK 090-100 60	100	105	60
BK 090-110 60	110	115	60
BK 090-120 50	120	125	50
BK 090-130 60	130	135	60
BK 090-130 100	130	135	100
BK 090-140 100	140	145	100
BK 090-150 60	150	155	60



# BK 090

Sliding bush BK090

## Item

Identification	d (mm)	D (mm)	L (mm)
BK 090-180 60	180	185	60