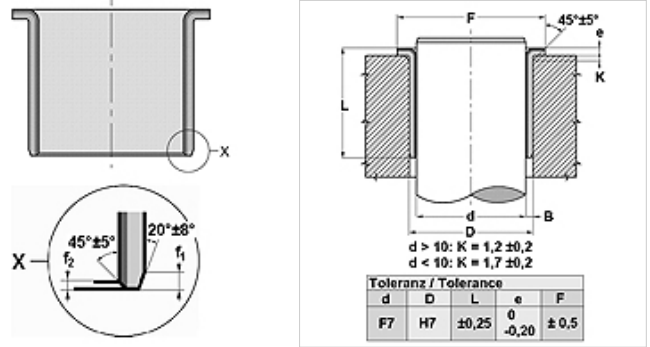


BK-1 F

Sliding bush BK-1-F

Properties	
Design	Maintenance-free PTFE coated friction bearing
pV	Continuous operation: 1.8 N/mm ² x m/s Short-term operation: 3.6 N/mm ² x m/s
Permissible load	static: 250 N/mm ² low slide speed: 140 N/mm ² Rotation, oscillation: 55 N/mm ²
Sliding rate	Dry running = 2 m/s hydrodynamic operation: >2 m/s
Thermal expansion coefficient	parallel to ring surface: 11 x 10 ⁻⁶ K ⁻¹ perpendicular to ring surface: 30 x 10 ⁻⁶ K ⁻¹
Coefficient of thermal conductivity	> 40 W (m x K) ⁻¹
Temp. min.	-200 °C
Temp. max.	270 °C
Surface pressure	250 (≤ N/mm ²)
Material	Steel back onto which a porous bronze layer is sintered subsequently a PTFE lead mixture is rolled into the bronze layer
Surface	zinc or copper plated
Application	BK-1 bushes are suitable for transmission, rotational and oscillating movements Rod guide for pneumatic and hydraulic cylinders Attachment lugs of pneumatic and hydraulic cylinders Conveyor-belt systems, textile machinery, automobiles ...
Standard	ISO 3547 DIN 1494



Note

Peak to valley height of shaft to be observed $Ra < 0.4 \mu\text{m}$.
Hardness of shaft to be observed $350 < HB < 600$.

Description

Suitable for dry running and maintenance-free.
Noise and frequency absorption.
hydrodynamic operation possible
High permitted load.
Good chemical resistance.
Good friction characteristics.
No stick-slip.
Broad temperature range.
High slide speed.
No water absorption.
low play during operation.
Extremely space-saving.

Item

Identification	d (mm)	D (mm)	L (mm)	e (mm)	F (mm)	f1 (mm)	f2 (mm)
BK-1- 06 070 F	6	8	7,0	1,0	12	0,5	0,3
BK-1- 10 120 F	10	12	12,0	1,0	18	0,5	0,3
BK-1- 12 120 F	12	14	12,0	1,0	20	0,5	0,3
BK-1- 14 120 F	14	16	12,0	1,0	22	0,5	0,3
BK-1- 15 120 F	15	17	12,0	1,0	23	0,5	0,3
BK-1- 15 170 F	15	17	17,0	1,0	23	0,5	0,3
BK-1- 18 120 F	18	20	12,0	1,0	26	0,5	0,3
BK-1- 18 170 F	18	20	17,0	1,0	26	0,5	0,3
BK-1- 20 115 F	20	23	11,5	1,5	31	0,8	0,4
BK-1- 20 165 F	20	23	16,5	1,5	31	0,8	0,4
BK-1- 20 215 F	20	23	21,5	1,5	31	0,8	0,4
BK-1- 25 165 F	25	28	16,5	1,5	36	0,8	0,4

BK-1 F

Sliding bush BK-1-F

Item							
Identification	d (mm)	D (mm)	L (mm)	e (mm)	F (mm)	f1 (mm)	f2 (mm)
BK-1- 25 215 F	25	28	21,5	1,5	36	0,8	0,4
BK-1- 30 160 F	30	34	16,0	2,0	42	1,0	0,5
BK-1- 30 260 F	30	34	26,0	2,0	42	1,0	0,5
BK-1- 35 160 F	35	39	16,0	2,0	49	1,0	0,5
BK-1- 35 260 F	35	39	26,0	2,0	49	1,0	0,5