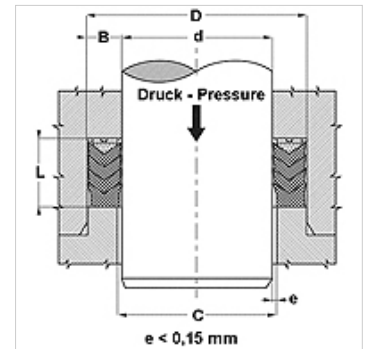


### Properties

|                           |   |
|---------------------------|---|
| <b>Design</b>             | Chevron ring  |
| <b>Operating pressure</b> | up to 400 bar   |
| <b>Sliding speed max.</b> | 0,5 m/s   |
| <b>Temp. min.</b>         | -30 °C  |
| <b>Temp. max.</b>         | 110 °C  |
| <b>Media</b>              | Mineral oils<br>Water emulsions   |
| <b>Installation</b>       | in open grooves   |
| <b>Material</b>           | (1) Chevron ring: 1 x NBR, + 2 x fabric-reinforced NBR<br>(2) Support ring: acetal resin / PTBR<br>(3) Thrust ring: laminated fabric-reinforced NBR |
| <b>Application</b>        | Hydraulics  |



| Toleranz / Tolerance |    |  |
|----------------------|----|--|
| d                    | D  | L  |
| H8/f7                | H9 | d < 200 : Lj +1,0/+1,5<br>d > 200 : Lj +1,5/+2,0 |



### Description

High temperature resistance.  
for difficult working conditions such as hydraulic shocks,  
Strong vibrations or poor surfaces.

### Ordering information

For special operating conditions (fluid, temperature, pressure ...) please contact us.  
Alternative material possible: FPM.

### Item

| Identification | d<br>(mm) | D<br>(mm) | L<br>(mm) |
|----------------|-----------|-----------|-----------|
| CH-098 047-B   | 12,00     | 25,00     | 14,32     |
| CH-100 050     | 12,70     | 25,40     | 19,05     |
| CH-106 055-B   | 14,00     | 27,00     | 14,32     |
| CH-112 071     | 18,25     | 28,57     | 16,05     |
| CH-118 078     | 20,00     | 30,00     | 21,50     |
| CH-125 078     | 20,00     | 32,00     | 18,20     |
| CH-125 086     | 22,00     | 32,00     | 18,13     |
| CH-137 098     | 25,00     | 35,00     | 17,30     |
| CH-141 078     | 20,00     | 36,00     | 24,00     |
| CH-157 098     | 25,00     | 40,00     | 19,84     |
| CH-157 110     | 28,00     | 40,00     | 17,00     |
| CH-157 118     | 30,00     | 40,00     | 21,80     |
| CH-162 112     | 28,57     | 41,27     | 19,84     |
| CH-165 118     | 30,00     | 42,00     | 20,00     |
| CH-165 125     | 32,00     | 42,00     | 17,30     |
| CH-175 125     | 31,75     | 44,45     | 19,05     |
| CH-177 137     | 35,00     | 45,00     | 21,78     |
| CH-187 137     | 34,92     | 47,62     | 20,64     |
| CH-188 125-B   | 32,00     | 48,00     | 17,63     |
| CH-196 118     | 30,00     | 50,00     | 29,37     |
| CH-196 137     | 35,00     | 50,00     | 22,50     |
| CH-196 157     | 40,00     | 50,00     | 17,30     |
| CH-200 137     | 34,92     | 50,80     | 24,21     |
| CH-200 150     | 38,10     | 50,80     | 19,45     |
| CH-204 141-B   | 36,00     | 52,00     | 17,60     |
| CH-212 150     | 38,10     | 53,97     | 25,27     |
| CH-216 153     | 39,00     | 55,00     | 25,40     |
| CH-216 157     | 40,00     | 55,00     | 22,62     |
| CH-216 157-1   | 40,00     | 55,00     | 26,19     |
| CH-220 157-B   | 40,00     | 56,00     | 17,63     |
| CH-225 150     | 38,10     | 57,15     | 28,70     |
| CH-225 175     | 44,45     | 57,15     | 21,83     |
| CH-236 157     | 40,00     | 60,00     | 30,00     |
| CH-236 177     | 45,00     | 60,00     | 22,22     |
| CH-236 188     | 48,00     | 60,00     | 25,00     |



| Item           |           |           |           |
|----------------|-----------|-----------|-----------|
| Identification | d<br>(mm) | D<br>(mm) | L<br>(mm) |
| CH-237 175     | 44,45     | 60,32     | 27,80     |
| CH-250 200     | 50,80     | 63,50     | 19,84     |
| CH-255 177     | 45,00     | 65,00     | 28,00     |
| CH-262 200     | 50,80     | 66,67     | 23,00     |
| CH-262 200-1   | 50,80     | 66,67     | 25,27     |
| CH-263 216     | 55,00     | 67,00     | 25,00     |
| CH-275 196     | 50,00     | 70,00     | 30,00     |
| CH-275 196-B   | 50,00     | 70,00     | 21,94     |
| CH-275 200     | 50,80     | 69,85     | 33,50     |
| CH-275 216     | 55,00     | 70,00     | 26,50     |
| CH-275 225     | 57,15     | 69,85     | 19,05     |
| CH-279 220     | 56,00     | 71,00     | 17,20     |
| CH-295 216     | 55,00     | 75,00     | 30,00     |
| CH-295 216-1   | 55,00     | 75,00     | 38,50     |
| CH-299 220-B   | 56,00     | 76,00     | 21,95     |
| CH-299 236     | 60,00     | 76,00     | 29,00     |
| CH-300 225     | 57,15     | 76,20     | 32,54     |
| CH-314 236     | 60,00     | 80,00     | 32,15     |
| CH-314 250     | 63,50     | 80,00     | 28,00     |
| CH-326 248-B   | 63,00     | 83,00     | 21,94     |
| CH-334 255     | 65,00     | 85,00     | 29,00     |
| CH-334 261     | 66,30     | 85,00     | 24,13     |
| CH-334 275     | 70,00     | 85,00     | 28,00     |
| CH-350 275     | 69,85     | 88,90     | 25,40     |
| CH-350 300     | 76,20     | 88,90     | 16,27     |
| CH-354 255     | 65,00     | 90,00     | 30,00     |
| CH-354 275     | 70,00     | 90,00     | 30,00     |
| CH-354 295     | 75,00     | 90,00     | 22,50     |
| CH-374 295     | 75,00     | 95,00     | 30,00     |
| CH-374 314     | 80,00     | 95,00     | 17,50     |
| CH-393 295     | 75,00     | 100,00    | 30,00     |
| CH-393 314     | 80,00     | 100,00    | 30,00     |
| CH-400 325     | 82,55     | 101,60    | 28,97     |
| CH-400 350     | 88,90     | 101,60    | 17,00     |
| CH-413 354     | 90,00     | 105,00    | 31,75     |
| CH-425 350-1   | 88,90     | 107,95    | 33,33     |
| CH-433 354     | 90,00     | 110,00    | 26,88     |
| CH-433 354-1   | 90,00     | 110,00    | 25,00     |
| CH-433 374     | 95,00     | 110,00    | 24,00     |
| CH-450 393     | 100,00    | 114,30    | 20,64     |
| CH-452 354-B   | 90,00     | 115,00    | 27,41     |
| CH-452 393     | 100,00    | 115,00    | 25,30     |
| CH-472 393     | 100,00    | 120,00    | 28,00     |
| CH-492 393     | 100,00    | 125,00    | 36,90     |
| CH-492 393-B   | 100,00    | 125,00    | 27,40     |
| CH-492 413     | 105,00    | 125,00    | 29,76     |
| CH-500 450     | 114,30    | 127,00    | 18,41     |
| CH-511 409     | 104,00    | 130,00    | 37,00     |
| CH-519 433     | 110,00    | 132,00    | 36,50     |
| CH-551 433     | 110,00    | 140,00    | 41,20     |
| CH-551 452     | 115,00    | 140,00    | 37,12     |
| CH-551 472     | 120,00    | 140,00    | 30,00     |
| CH-570 492     | 125,00    | 145,00    | 29,62     |
| CH-590 492-B   | 125,00    | 150,00    | 27,40     |
| CH-590 511     | 130,00    | 150,00    | 29,76     |
| CH-610 492     | 125,00    | 155,00    | 34,50     |
| CH-610 511     | 130,00    | 155,00    | 40,00     |
| CH-610 531     | 135,00    | 155,00    | 30,55     |
| CH-629 551     | 140,00    | 160,00    | 28,50     |
| CH-649 551     | 140,00    | 165,00    | 41,95     |
| CH-669 551-B   | 140,00    | 170,00    | 32,97     |
| CH-669 570     | 145,00    | 170,00    | 38,10     |
| CH-669 590     | 150,00    | 170,00    | 30,56     |



## Item

| Identification | d<br>(mm) | D<br>(mm) | L<br>(mm) |
|----------------|-----------|-----------|-----------|
| CH-700 600     | 152,40    | 177,80    | 33,34     |
| CH-708 590     | 150,00    | 180,00    | 40,00     |
| CH-708 629     | 160,00    | 180,00    | 30,00     |
| CH-767 669     | 170,00    | 195,00    | 37,50     |
| CH-787 669     | 170,00    | 200,00    | 50,00     |
| CH-787 669-1   | 170,00    | 200,00    | 43,00     |
| CH-866 787     | 200,00    | 220,00    | 30,00     |
| CH-944 826     | 210,00    | 240,00    | 34,50     |
| CH-944 826-1   | 210,00    | 240,00    | 42,10     |
| CH-984 866     | 220,00    | 250,00    | 52,00     |
| CH-125 91141   | 290,00    | 320,00    | 50,80     |
| CH-125 91181   | 300,00    | 320,00    | 32,00     |
| CH-153 51377   | 350,00    | 390,00    | 61,60     |
| CH-196 81811   | 460,00    | 500,00    | 53,40     |

## Product versions

CH NEI Chevron ring CH-NEI, (1) Chevron ring: 1 x NBR, + 2 x fabric-reinforced NBR