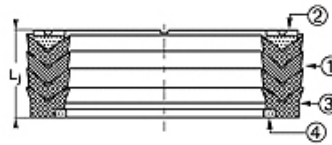
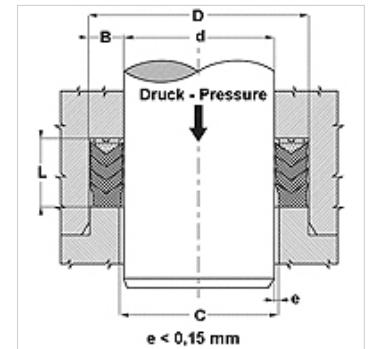


Properties

Design	Chevron ring
Operating pressure	up to 400 bar
Sliding speed max.	0,5 m/s
Temp. min.	-30 °C
Temp. max.	110 °C
Media	Mineral oils Water emulsions
Installation	in open grooves
Material	(1) Chevron ring: 1 x NBR, + 2 x fabric-reinforced NBR (2) Support ring: acetal resin / PTBR (3) Thrust ring: laminated fabric-reinforced NBR (4) Support ring: acetal resin / PTBR
Application	Hydraulics



Toleranz / Tolerance		
d	D	L
H8/f7	H9	d < 200 : Lj +1,0/+1,5 d > 200 : Lj +1,5/+2,0



Description

High temperature resistance.
for difficult working conditions such as hydraulic shocks,
Strong vibrations or poor surfaces.

Ordering information

For special operating conditions (fluid, temperature, pressure ...) please contact us.
Alternative material possible: FPM.

Item

Identification	d (mm)	D (mm)	L (mm)
CH-177 118-NEI	30,00	45,00	22,20
CH-200 141-NEI	36,00	51,00	24,00
CH-216 157-NEI	40,00	55,00	22,62
CH-236 177-NEI	45,00	60,00	22,22
CH-255 196-NEI	50,00	65,00	24,60
CH-255 196-1-NEI	50,00	65,00	26,00
CH-284 204-NEI	52,00	72,00	32,50
CH-295 236-NEI	60,00	75,00	19,00
CH-299 236-NEI	60,00	76,00	29,00
CH-314 236-NEI	60,00	80,00	32,15
CH-326 275-NEI	70,00	83,00	25,00
CH-334 248-NEI	63,00	85,00	32,00
CH-334 255-NEI	65,00	85,00	29,00
CH-354 275-NEI	70,00	90,00	30,00
CH-393 314-NEI	80,00	100,00	30,00
CH-413 334-1-NEI	85,00	105,00	30,00
CH-511 433-NEI	110,00	130,00	30,00

Product versions

CH Chevron ring CH, (1) Chevron ring: 1 x NBR, + 2 x fabric-reinforced NBR