

# CH1

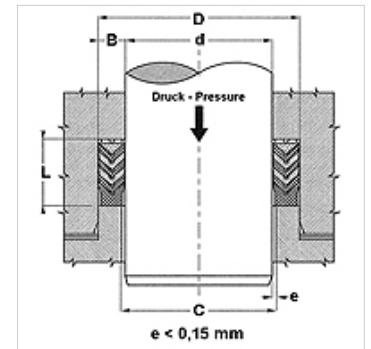
## Chevron ring CH1

### Properties

<b>Design</b>	Chevron rod ring
<b>Operating pressure</b>	up to 400 bar
<b>Sliding speed max.</b>	0,5 m/s
<b>Temp. min.</b>	-30 °C
<b>Temp. max.</b>	110 °C
<b>Media</b>	Mineral oils Water emulsions
<b>Installation</b>	in open grooves B
<b>Material</b>	Thrust ring: laminated fabric-reinforced NBR (2) Chevron ring: 2 x NBR + 3 x fabric-reinforced NBR (3) Thrust ring: laminated fabric-reinforced NBR
<b>Application</b>	Hydraulics



Toleranz / Tolerance		
d	D	L
H8 / F7	H9	d < 200 : Lj +1,0 / 1,5 d > 200 : Lj +1,5 / 2,0



### Description

High temperature resistance.  
for difficult working conditions such as hydraulic shocks,  
Strong vibrations or poor surfaces.

### Ordering information

Other sizes on request  
For special operating conditions (fluid, temperature, pressure ...) please contact us.  
Alternative material possible: FPM.

Item	Identification	d (mm)	D (mm)	L (mm)
CH1-008		8,00	18,0	18,5
CH1-010		10,00	20,0	18,5
CH1-012		12,00	22,0	18,5
CH1-014		14,00	24,0	18,5
CH1-015		15,00	25,0	18,5
CH1-016		16,00	26,0	18,5
CH1-018		18,00	28,0	18,5
CH1-020		20,00	30,0	18,5
CH1-022		22,00	32,0	18,5
CH1-025		25,00	37,0	22,5
CH1-028		28,00	40,0	22,5
CH1-030		30,00	42,0	22,5
CH1-032		32,00	44,0	22,5
CH1-035		35,00	47,0	22,5
CH1-036		36,00	48,0	22,5
CH1-040		40,00	52,0	22,5
CH1-042		42,00	54,0	22,5
CH1-045		45,00	60,0	22,5
CH1-048		48,00	63,0	22,5
CH1-050		50,00	65,0	22,5
CH1-055		55,00	70,0	22,5
CH1-056		56,00	71,0	22,5
CH1-060		60,00	75,0	22,5
CH1-063		63,00	78,0	22,5
CH1-065		65,00	80,0	22,5
CH1-070		70,00	85,0	22,5
CH1-075		75,00	90,0	22,5
CH1-080		80,00	95,0	22,5
CH1-085		85,00	100,0	22,5
CH1-090		90,00	105,0	22,5
CH1-100		100,00	115,0	30,0
CH1-110		110,00	125,0	30,0
CH1-115		115,00	130,0	30,0
CH1-125		125,00	140,0	34,0



# CH1

Chevron ring CH1

Item			
Identification	d (mm)	D (mm)	L (mm)
CH1-140	140,00	155,0	34,0
CH1-150	150,00	170,0	40,0
CH1-160	160,00	180,0	40,0
CH1-180	180,00	200,0	40,0
CH1-200	200,00	220,0	40,0