

# CH2

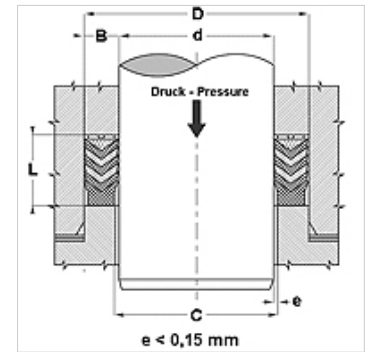
## Chevron ring CH2

### Properties

<b>Design</b>	Chevron rod ring
<b>Operating pressure</b>	up to 500 bar
<b>Sliding speed max.</b>	0,5 m/s
<b>Temp. min.</b>	-30 °C
<b>Temp. max.</b>	110 °C
<b>Media</b>	Mineral oils Water emulsions
<b>Installation</b>	in open grooves
<b>Material</b>	(1) Thrust ring: laminated fabric-reinforced NBR (2) Chevron ring: 2 x NBR + 3 x fabric-reinforced NBR (3) Support ring: acetal resin / PTBR
<b>Application</b>	Hydraulics



Toleranz / Tolerance		
d	D	L
H8 / F7	H9	d < 200 : Lj +1,0 / 1,5 d > 200 : Lj +1,5 / 2,0



### Description

High temperature resistance.  
for difficult working conditions such as hydraulic shocks,  
Strong vibrations or poor surfaces.

### Ordering information

Other sizes on request  
For special operating conditions (fluid, temperature, pressure ...) please contact us.  
Alternative material possible: FPM.

Item	Identification	d (mm)	D (mm)	L (mm)
CH2-020		20,00	32,0	22,5
CH2-022		22,00	34,0	22,5
CH2-025		25,00	40,0	22,5
CH2-028		28,00	43,0	22,5
CH2-030		30,00	45,0	22,5
CH2-032		32,00	47,0	22,5
CH2-035		35,00	50,0	22,5
CH2-036		36,00	51,0	22,5
CH2-040		40,00	55,0	22,5
CH2-042		42,00	57,0	22,5
CH2-045		45,00	65,0	27,5
CH2-050		50,00	70,0	30,0
CH2-055		55,00	75,0	30,0
CH2-056		56,00	76,0	37,0
CH2-060		60,00	80,0	37,0
CH2-063		63,00	83,0	37,0
CH2-065		65,00	85,0	40,0
CH2-070		70,00	90,0	40,0
CH2-075		75,00	95,0	40,0
CH2-080		80,00	100,0	40,0
CH2-090		90,00	110,0	40,0
CH2-100		100,00	120,0	40,0
CH2-110		110,00	130,0	40,0
CH2-120		120,00	145,0	50,0
CH2-125		125,00	150,0	46,0
CH2-140		140,00	165,0	46,0
CH2-160		160,00	190,0	60,0
CH2-180		180,00	210,0	60,0
CH2-200		200,00	230,0	60,0