

DBM FPM

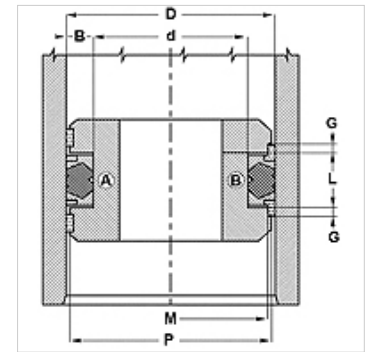
Piston packing set for one-piece pistons DBM-FPM

Properties

Design	Piston packing set
Operating pressure	up to 300 bar
Sliding speed max.	0,5 m/s
Temp. min.	-30 °C
Temp. max.	110 °C
Media	Mineral oils Water emulsions
Installation	on one-piece or multi-part pistons
Material	(1) Seal: FPM (2) Guide ring: acetal resin (3) Support ring: Polyester
Application	Hydraulics



Toleranz / Tolerance						
D	d	L	G	M	P	
H11	+0,12 0	+0,20 0	+0,10 0	± 0,05	± 0,15	



Description

Extremely good sealing effect at low pressure.
Easy assembly.
Simple solution.

Ordering information

Alternative material possible

Item	D	d	L	G	M	P
Identification	(mm)	(mm)	(mm)	(mm)	(mm)	(mm)
DBM 157 118 FPM	40	30	16,4	6,35	35,40	38,50
DBM 196 133 FPM	50	34	18,4	6,35	45,41	44,66
DBM 236 173 FPM	60	44	18,4	6,35	55,39	58,65
DBM 248 185 FPM	63	47	18,4	6,35	58,39	61,63
DBM 275 196 FPM	70	50	22,4	6,35	64,18	68,34
DBM 314 236 FPM	80	60	22,4	6,35	74,16	78,34
DBM 393 295 FPM	100	75	22,4	6,35	93,14	98,05