

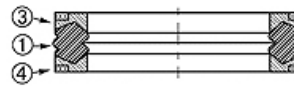
DBM NEO

Piston packing set for one-piece pistons DBM-NEO

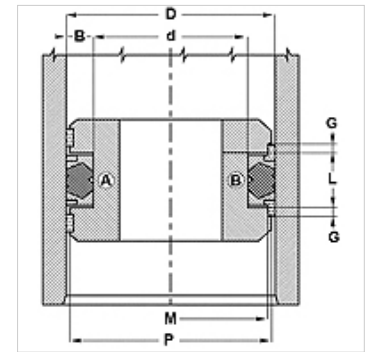
HANSA FLEX

Properties

| | |
|---------------------------|---|
| Operating pressure | up to 300 bar |
| Sliding speed max. | 0,5 m/s |
| Temp. min. | -30 °C |
| Temp. max. | 110 °C |
| Media | Mineral oils Water emulsions |
| Installation | on one-piece or multi-part pistons |
| Material | (1) Seal: NBR (3) Support ring: Polyester (4) Back ring: acetal resin |
| Application | Hydraulics |



| Toleranz / Tolerance | | | | | |
|----------------------|------------|------------|------------|--------|--------|
| D | d | L | G | M | P |
| H11 | +0,12 0 | +0,20 0 | +0,10 0 | ± 0,05 | ± 0,15 |



Description

Extremely good sealing effect at low pressure.
Easy assembly.
Simple solution.

Ordering information

Alternative material possible

Item

| Identification | D (mm) | d (mm) | L (mm) |
|-----------------|-----------|-----------|-----------|
| DBM 157 118-NEO | 40 | 30 | 16,4 |
| DBM 236 173-NEO | 60 | 44 | 18,4 |
| DBM 314 236-NEO | 80 | 60 | 22,4 |