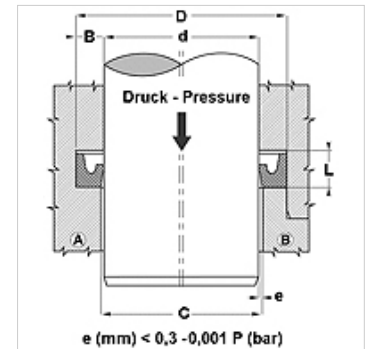


**Properties**

<b>Design</b>	Rod U-ring
<b>Operating pressure</b>	up to 120 bar
<b>Sliding speed max.</b>	0,5 m/s
<b>Design</b>	Inches
<b>Temp. min.</b>	-30 °C
<b>Temp. max.</b>	100 °C
<b>Media</b>	Mineral oils Water-air
<b>Installation</b>	in closed grooves A in open grooves B
<b>Material</b>	NBR 90° Shore A
<b>Application</b>	Hydraulics + pneumatics



Toleranz / Tolerance		
d	D	L
H8 / f7	H9	+0,5 0



**Description**

Low-friction seal.  
Simple solution.

**Ordering information**

Other sizes on request  
We are able to produce seals with diameters of 20 to 510 mm with short lead times.

Item	d (mm)	D (mm)	L (mm)	H (mm)
DDI 18	4,76	11,11	5,5	3,96
DDI 31	7,93	14,28	5,5	3,96
DDI 37	9,52	16,50	5,5	3,96
DDI 50	12,70	21,00	7,0	5,10
DDI 62	15,87	22,22	6,0	4,76
DDI 68	17,46	23,81	6,0	4,60
DDI 75	19,05	25,40	6,0	4,76
DDI 81	20,63	28,58	6,0	4,76
DDI 87	22,22	31,75	6,0	4,76
DDI 100	25,40	38,10	8,0	6,35
DDI 106	26,99	36,51	8,0	6,35
DDI 125	31,75	44,45	8,0	6,35
DDI 137	34,93	50,80	9,5	7,93
DDI 150	38,10	50,80	11,0	9,52
DDI 156	39,69	55,96	11,0	9,52
DDI 162	41,28	50,80	7,0	5,50
DDI 175	44,45	57,15	9,5	7,93
DDI 187	47,63	63,50	11,0	9,52
DDI 212	53,98	69,85	11,0	9,52
DDI 237	60,33	76,20	9,5	7,93
DDI 325	82,55	95,25	9,5	7,93
DDI 350	88,90	101,60	11,0	9,52