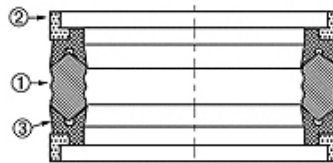
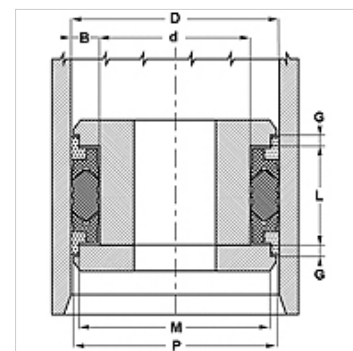


### Properties

<b>Design</b>	piston seal
<b>Operating pressure</b>	up to 700 bar
<b>Sliding speed max.</b>	0,5 m/s
<b>Temp. min.</b>	-30 °C
<b>Temp. max.</b>	110 °C
<b>Media</b>	Mineral oils Water emulsions
<b>Installation</b>	on multi-part pistons
<b>Material</b>	(1) Seal: NBR (2) Guide ring: acetal resin (3) Support ring: fabric-reinforced NBR
<b>Application</b>	Hydraulics



Toleranz / Tolerance					
D	d	L	G	M	P
H11	+0,12 0	+0,20 0	+0,10 0	±0,05	±0,15



### Description

Extremely good sealing effect at low pressure.  
for difficult working conditions such as hydraulic shocks,  
Strong vibrations or poor surfaces.

### Ordering information

For special operating conditions (fluid, temperature, pressure ...) please contact us.  
Alternative material possible: FPM.

### Item

Identification	D (mm)	d (mm)	L (mm)	G (mm)	M (mm)	P (mm)
DSM 216 157-1A	55,00	40,00	32,00	6,35	48,77	52,85
DSM 236 173-1A	60,00	44,00	32,00	6,35	53,80	57,80
DSM 255 192-1A	65,00	49,00	32,00	6,35	58,70	62,80
DSM 275 196-1A	70,00	50,00	35,00	9,52	62,62	67,54
DSM 295 216-1A	75,00	55,00	35,00	9,52	67,70	72,54
DSM 314 236-1A	80,00	60,00	35,00	9,52	72,62	77,52
DSM 314 251-1A	80,00	64,00	32,00	9,52	72,62	77,52
DSM 334 255-1A	85,00	65,00	35,00	9,52	77,62	82,54
DSM 354 275-1A	90,00	70,00	35,00	9,52	82,58	87,79
DSM 374 295-1A	95,00	75,00	35,00	9,52	87,60	92,50
DSM 393 314-1A	100,00	80,00	35,00	9,52	92,60	97,50
DSM 413 334-1A	105,00	85,00	35,00	9,52	97,60	102,50
DSM 433 354-1A	110,00	90,00	35,00	9,52	102,70	107,51
DSM 472 393-1A	120,00	100,00	35,00	9,52	112,80	117,51
DSM 492 393-1A	125,00	100,00	45,00	12,70	116,82	122,33
DSM 500 400-1A	127,00	101,60	44,45	12,70	118,80	124,36
DSM 511 413-1A	130,00	105,00	45,00	12,70	121,82	127,33
DSM 551 452-1A	140,00	115,00	45,00	12,70	131,72	137,30
DSM 551 472-1A	140,00	120,00	35,00	9,52	132,70	137,30
DSM 590 492-1A	150,00	125,00	45,00	12,70	141,72	147,30
DSM 629 531-1A	160,00	135,00	45,00	12,70	151,72	157,10
DSM 669 551-1A	170,00	140,00	45,00	12,70	163,00	167,87
DSM 708 610-1A	180,00	155,00	45,00	12,70	171,60	177,10
DSM 787 688-1A	200,00	175,00	45,00	12,70	191,72	197,10
DSM 826 728-1A	210,00	185,00	45,00	12,70	201,60	207,10
DSM 866 767-1A	220,00	195,00	45,00	12,70	211,60	217,10
DSM 102 4925-1A	260,00	235,00	45,00	12,70	251,72	257,10
DSM 110 21004-1A	280,00	255,00	45,00	12,70	271,72	277,10