

DSR U FPM

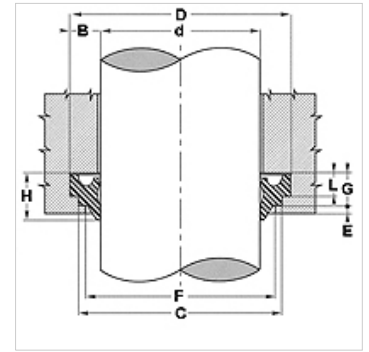
Double wiper DSR-U-FPM

Properties

Design	Wipers
Sliding speed max.	0,5 m/s
Temp. min.	-30 °C
Temp. max.	110 °C
Media	Mineral oils Water emulsions
Installation	bend the wiper into a kidney shape and press into the locating groove
Application	Hydraulics
Material	FPM



Toleranz / Tolerance					
d	D	L	C	F	G
h11	H11	+0,20 0	H10	H11	+0,20 0



Description

Easy assembly.

Item

Identification	D (mm)	d (mm)	E (mm)	L (mm)	C (mm)
DSR 56-U FPM	64	56	1,0	4,0	62