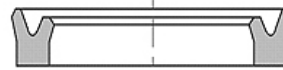
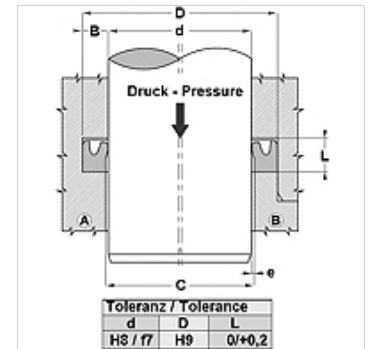


Properties

Design	Rod U-ring
Operating pressure	up to 400 bar
Sliding speed max.	0,5 m/s
Design	Metric
Temp. min.	-30 °C
Temp. max.	80 °C
Media	Mineral oils
Installation	in closed grooves A in open grooves B
Material	PUR
Application	Hydraulics



Spaltmaß / Clearance		
Druck bar	e (mm) EU - EU-I	
	d < 60 mm	d > 60 mm
50	< 0,40	< 0,50
100	< 0,30	< 0,40
200	< 0,20	< 0,30
300	< 0,15	< 0,20
400	< 0,10	< 0,15



Description

Low-friction seal.
High abrasion resistance.
Simple solution.

Ordering information

We are able to produce EU seals with diameters of 20 to 510 mm with short lead times.

Item	Identification	D (mm)	d (mm)	L (mm)	Standard grooves
EU 06 12-1	EU 06 12-1	12,0	6	5,8	-
EU 06 14	EU 06 14	14,0	6	6,3	ISO 5597
EU 08 14-1	EU 08 14-1	14,4	8	10,5	-
EU 08 16	EU 08 16	16,0	8	6,3	ISO 5597
EU 08 18-1	EU 08 18-1	18,0	8	9,0	-
EU 10 18	EU 10 18	18,0	10	6,3	ISO 5597
EU 10 20	EU 10 20	20,0	10	8,0	ISO 5597
EU 12 17	EU 12 17	17,0	12	4,0	-
EU 12 20-1	EU 12 20-1	20,0	12	5,5	-
EU 12 20	EU 12 20	20,0	12	6,3	ISO 5597
EU 12 22	EU 12 22	22,0	12	8,0	ISO 5597
EU 12 22-1	EU 12 22-1	22,0	12	9,0	-
EU 14 22	EU 14 22	22,0	14	6,3	ISO 5597
EU 14 24	EU 14 24	24,0	14	8,0	-
EU 15 23-1	EU 15 23-1	23,0	15	6,3	-
EU 15 25-1	EU 15 25-1	25,0	15	9,0	-
EU 16 21	EU 16 21	20,6	16	3,6	-
EU 16 22	EU 16 22	22,0	16	6,0	-
EU 16 24	EU 16 24	24,0	16	6,3	-
EU 16 24-1	EU 16 24-1	24,0	16	7,0	-
EU 16 26	EU 16 26	26,0	16	8,0	ISO 5597
EU 16 26-2	EU 16 26-2	26,0	16	10,0	-
EU 18 24	EU 18 24	24,0	18	5,2	-
EU 18 24-1	EU 18 24-1	24,0	18	6,0	-
EU 18 26-1	EU 18 26-1	26,0	18	6,3	ISO 5597
EU 18 26	EU 18 26	26,0	18	9,0	-
EU 18 28	EU 18 28	28,0	18	8,0	ISO 5597
EU 18 28-1	EU 18 28-1	28,0	18	9,0	-
EU 20 26-1	EU 20 26-1	26,0	20	5,5	-
EU 20 28	EU 20 28	28,0	20	6,3	ISO 5597
EU 20 28-1	EU 20 28-1	28,0	20	7,0	-
EU 20 28-2	EU 20 28-2	28,0	20	8,0	-
EU 20 30	EU 20 30	30,0	20	8,0	ISO 5597
EU 20 30-2	EU 20 30-2	30,0	20	9,0	-
EU 20 35	EU 20 35	35,0	20	11,0	-
EU 22 30-1	EU 22 30-1	30,0	22	6,3	ISO 5597
EU 22 30	EU 22 30	30,0	22	9,0	-



Item	D	d	L	Standard grooves
Identification	(mm)	(mm)	(mm)	
EU 22 32-1	32,0	22	8,0	ISO 5597
EU 22 32	32,0	22	10,0	-
EU 24 34	34,0	24	8,0	-
EU 24 34-1	34,0	24	9,5	-
EU 25 32	32,0	25	7,0	-
EU 25 33	33,0	25	6,3	-
EU 25 33-3	33,0	25	7,0	-
EU 25 33-1	33,0	25	8,0	-
EU 25 33-2	33,0	25	11,0	-
EU 25 35	35,0	25	8,0	ISO 5597
EU 25 38-1	38,0	25	10,0	-
EU 25 40	40,0	25	11,0	-
EU 28 36	36,0	28	6,3	-
EU 28 38	38,0	28	8,0	ISO 5597
EU 28 38-1	38,0	28	9,0	-
EU 28 38-2	38,0	28	11,0	-
EU 28 40	40,0	28	9,5	-
EU 28 43	43,0	28	12,5	ISO 5597
EU 30 38	38,0	30	6,3	-
EU 30 38-1	38,0	30	9,0	-
EU 30 40-3	40,0	30	6,3	-
EU 30 40	40,0	30	8,0	-
EU 30 40-1	40,0	30	11,0	-
EU 30 43	43,0	30	10,0	-
EU 30 45-1	45,0	30	9,0	-
EU 32 40-1	40,0	32	6,3	-
EU 32 40	40,0	32	9,0	-
EU 32 42	42,0	32	8,0	ISO 5597
EU 32 42-1	42,0	32	11,0	-
EU 32 45	45,0	32	11,0	-
EU 33 43-1	43,0	33	11,0	-
EU 32 47-1	47,0	32	11,0	-
EU 35 43	43,0	35	6,3	-
EU 35 43-1	43,0	35	9,0	-
EU 35 45	45,0	35	8,0	-
EU 35 45-1	45,0	35	11,0	-
EU 35 45-2	45,0	35	13,5	-
EU 35 46	46,0	35	9,0	-
EU 35 46-1	46,0	35	10,0	-
EU 35 47	47,0	35	9,0	-
EU 35 50	50,0	35	11,0	-
EU 36 44	44,0	36	9,0	-
EU 36 46	46,0	36	8,0	ISO 5597
EU 36 46-1	46,0	36	11,0	-
EU 36 48-1	48,0	36	8,0	-
EU 36 48	48,0	36	9,0	-
EU 36 51	51,0	36	11,0	-
EU 36 51-1	51,0	36	12,5	ISO 5597
EU 37 45	45,0	37	6,3	-
EU 38 44	44,0	38	5,3	-
EU 38 45	45,0	38	5,5	-
EU 38 45-1	45,0	38	7,0	-
EU 39 50	50,0	39	11,0	-
EU 40 48	48,0	40	6,3	-
EU 40 48-1	48,0	40	9,0	-
EU 40 50-2	50,0	40	8,0	ISO 5597
EU 40 50	50,0	40	10,0	-
EU 40 50-1	50,0	40	11,0	-
EU 40 50-3	50,0	40	13,5	-
EU 40 52	52,0	40	9,0	-
EU 40 55	55,0	40	11,0	-
EU 40 55-1	55,0	40	12,5	ISO 5597
EU 40 60	60,0	40	13,0	-



Item	D	d	L	Standard grooves
Identification	(mm)	(mm)	(mm)	
EU 42 62-1	62,0	42	11,0	-
EU 45 53	53,0	45	6,3	-
EU 45 53-2	53,0	45	11,0	-
EU 45 53-1	53,0	45	13,0	-
EU 45 55-1	55,0	45	8,0	ISO 5597
EU 45 55	55,0	45	11,0	-
EU 45 58-1	58,0	45	10,0	-
EU 45 60	60,0	45	11,0	-
EU 45 60-1	60,0	45	12,5	ISO 5597
EU 45 65-2	65,0	45	11,0	-
EU 45 65	65,0	45	13,0	-
EU 45 65-1	65,0	45	14,5	-
EU 46 56	56,0	46	8,0	-
EU 50 60-1	60,0	50	8,0	-
EU 50 60	60,0	50	11,0	-
EU 50 60-2	60,0	50	13,0	-
EU 50 65-1	65,0	50	11,0	-
EU 50 65	65,0	50	12,5	ISO 5597
EU 50 68-1	68,0	50	10,0	-
EU 50 70	70,0	50	13,0	-
EU 52 62	62,0	52	11,0	-
EU 55 63-1	63,0	55	13,0	-
EU 55 65	65,0	55	8,0	-
EU 55 65-1	65,0	55	11,0	-
EU 55 65-2	65,0	55	13,0	-
EU 55 65-3	65,0	55	14,5	-
EU 55 67-1	67,0	55	11,0	-
EU 55 68	68,0	55	11,0	-
EU 55 70	70,0	55	11,0	-
EU 55 70-1	70,0	55	13,0	-
EU 55 75	75,0	55	13,0	-
EU 55 75-1	75,0	55	14,5	-
EU 56 66	66,0	56	11,0	-
EU 56 71	71,0	56	11,0	-
EU 56 71-1	71,0	56	12,5	-
EU 56 76	76,0	56	13,0	-
EU 56 76-1	76,0	56	14,5	-
EU 56 76-2	76,0	56	16,0	ISO 5597
EU 60 70-1	70,0	60	8,0	-
EU 60 70	70,0	60	11,0	-
EU 60 70-S	70,0	60	15,0	-
EU 60 72	72,0	60	9,0	-
EU 60 72-1	72,0	60	10,0	-
EU 60 75	75,0	60	11,0	-
EU 60 75-1	75,0	60	13,0	-
EU 60 77	77,0	60	12,0	-
EU 60 80	80,0	60	13,0	-
EU 61 69-1	69,0	61	8,5	-
EU 62 74-1	74,0	62	14,0	-
EU 63 73-1	73,0	63	11,0	-
EU 63 73	73,0	63	13,0	-
EU 63 75	75,0	63	9,6	-
EU 63 78-1	78,0	63	11,0	-
EU 63 78	78,0	63	12,5	ISO 5597
EU 63 83-1	83,0	63	14,5	-
EU 63 83-2	83,0	63	16,0	-
EU 65 75-3	75,0	65	11,0	-
EU 65 77-1	77,0	65	10,0	-
EU 65 80	80,0	65	11,0	-
EU 65 80-1	80,0	65	13,0	-
EU 65 85	85,0	65	13,0	-
EU 65 85-1	85,0	65	14,5	-
EU 70 80-3	80,0	70	6,5	-



Item	D	d	L	Standard grooves
Identification	(mm)	(mm)	(mm)	
EU 70 80-2	80,0	70	8,0	-
EU 70 80-1	80,0	70	11,0	-
EU 70 80	80,0	70	13,0	-
EU 70 85-1	85,0	70	11,0	-
EU 70 85	85,0	70	12,5	ISO 5597
EU 70 90-2	90,0	70	16,0	ISO 5597
EU 73 82	82,5	73	8,0	-
EU 75 85	85,0	75	8,0	-
EU 75 85-1	85,0	75	13,0	-
EU 75 90-1	90,0	75	11,0	-
EU 75 90	90,0	75	13,0	-
EU 75 95	95,0	75	13,0	-
EU 76 84-1	84,0	76	8,5	-
EU 78 88-S	88,0	78	15,0	-
EU 80 100	100,0	80	13,0	-
EU 80 100-2	100,0	80	16,0	ISO 5597
EU 80 90	90,0	80	8,0	-
EU 80 90-2	90,0	80	13,0	-
EU 80 92	92,0	80	9,6	-
EU 80 95-3	95,0	80	10,0	-
EU 80 95-2	95,0	80	11,0	-
EU 80 95-1	95,0	80	12,5	-
EU 80 95	95,0	80	13,0	-
EU 85 95	95,0	85	8,0	-
EU 85 100-1	100,0	85	12,0	-
EU 85 100	100,0	85	13,0	-
EU 85 105	105,0	85	13,0	-
EU 85 105-1	105,0	85	14,5	-
EU 90 100-1	100,0	90	12,5	-
EU 90 105-2	105,0	90	9,5	-
EU 90 105-3	105,0	90	12,5	ISO 5597
EU 90 105	105,0	90	13,0	-
EU 90 110	110,0	90	13,0	-
EU 90 110-1	110,0	90	16,0	ISO 5597
EU 91 99-1	99,0	91	8,5	-
EU 93 104-1	104,0	93	11,0	-
EU 95 105-1	105,0	95	11,0	-
EU 95 115	115,0	95	13,0	-
EU 99 109-S	109,0	99	15,0	-
EU 100 110-1	110,0	100	15,0	-
EU 100 113-1	113,0	100	13,5	-
EU 100 115-2	115,0	100	11,5	-
EU 100 115	115,0	100	13,0	-
EU 100 120	120,0	100	13,0	-
EU 100 120-2	120,0	100	16,0	ISO 5597
EU 100 125	125,0	100	20,0	ISO 5597
EU 105 115-1	115,0	105	11,0	-
EU 105 115-2	115,0	105	12,5	-
EU 105 115-3	115,0	105	14,5	-
EU 105 125	125,0	105	13,0	-
EU 110 125-1	125,0	110	12,0	-
EU 110 125	125,0	110	16,0	-
EU 110 130	130,0	110	13,0	-
EU 110 130-1	130,0	110	16,0	ISO 5597
EU 115 135	135,0	115	13,0	-
EU 120 130-2	130,0	120	12,5	-
EU 120 130-S	130,0	120	15,0	-
EU 120 132-1	132,0	120	11,0	-
EU 120 135-1	135,0	120	12,5	-
EU 120 140	140,0	120	13,0	-
EU 120 140-1	140,0	120	16,0	-
EU 125 145	145,0	125	13,0	-
EU 125 145-1	145,0	125	16,0	ISO 5597



Item				
Identification	D (mm)	d (mm)	L (mm)	Standard grooves
EU 125 150	150,0	125	15,0	-
EU 130 140	140,0	130	8,0	-
EU 130 145-2	145,0	130	15,0	-
EU 130 150	150,0	130	13,0	-
EU 130 150-1	150,0	130	16,0	-
EU 140 150-1	150,0	140	12,5	-
EU 140 160-2	160,0	140	16,0	ISO 5597
EU 140 165	165,0	140	20,0	ISO 5597
EU 141 151-S	151,0	141	15,0	-
EU 150 170-1	170,0	150	14,5	-
EU 150 170-2	170,0	150	16,0	-
EU 160 180	180,0	160	13,0	-
EU 160 180-1	180,0	160	16,0	-
EU 160 185	185,0	160	20,0	-
EU 162 172-S	172,0	162	15,0	-
EU 170 190-1	190,0	170	16,0	-
EU 180 200-1	200,0	180	16,0	-
EU 180 200-2	200,0	180	20,0	-
EU 183 193-S	193,0	183	15,0	-
EU 190 210-1	210,0	190	16,0	-
EU 200 212-1	212,0	200	16,0	-
EU 200 220	220,0	200	13,0	-
EU 200 220-1	220,0	200	16,0	-
EU 207 217-S	217,0	207	15,0	-
EU 210 230	230,0	210	13,0	-
EU 210 230-2	230,0	210	16,0	-
EU 210 235-1	235,0	210	26,0	-
EU 220 240	240,0	220	13,0	-
EU 220 240-1	240,0	220	16,0	-
EU 230 250	250,0	230	13,0	-
EU 230 260	260,0	230	25,0	-
EU 231 241-S	241,0	231	15,0	-
EU 240 260	260,0	240	13,0	-
EU 240 260-1	260,0	240	16,0	-
EU 240 270	270,0	240	19,0	-
EU 250 270	270,0	250	13,0	-
EU 250 270-1	270,0	250	16,0	-
EU 280 305-1	305,0	280	16,0	-
EU 280 310	310,0	280	25,0	-