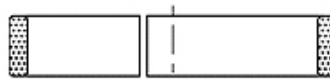
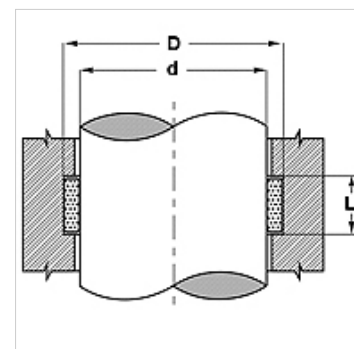


## Properties

Sliding speed max.	0,8 m/s
Surface pressure	at 20°C 15 N/mm <sup>2</sup> ; at 100°C 10 N/mm <sup>3</sup>
Temp. min.	-30 °C
Temp. max.	110 °C
Media	Mineral oils Water emulsions
Installation	insert into the groove
Material	acetal resin + glass fibre



Toleranz / Tolerance		
d	D	L
f7	+0,05 0	+0,10 0



## Note

Calculation of shear force;  $F = p \times D \times L \times n$

F = maximum shear force (N)

p = maximum surface pressure (N/mm<sup>2</sup>)

D x L = projected area (mm<sup>2</sup>)

n = quantity of rings

## Description

Easy working of the fitting groove and assembly.

High load-bearing capacity.

Low coefficient of wear and low coefficient of friction (between 0.05 and 0.1) available in many sizes.

## Ordering information

We are able to produce guide rings with diameters of 20 to 510 mm with short lead times.

## Item

Identification	D (mm)	d (mm)	L (mm)
I-DWR 18-2-9.6	22	18	9,60
I-DWR 20-2-9.6	24	20	9,60
I-DWR 25-2-9.6	29	25	9,60
I-DWR 28-2-9.6	32	28	9,60
I-DWR 30-2-9.6	34	30	9,60
I-DWR 30-3-9.6	36	30	9,60
I-DWR 32-2-9.6	36	32	9,60
I-DWR 32-3-10	38	32	10,00
I-DWR 34-2-9.6	38	34	9,60
I-DWR 35-2-9.6	39	35	9,60
I-DWR 35-2-12.8	39	35	12,80
I-DWR 35-3-9.6	41	35	9,60
I-DWR 36-2-9.6	40	36	9,60
I-DWR 36-3-9.6	42	36	9,60
I-DWR 38-2-9.6	42	38	9,60
I-DWR 38-2-18	42	38	18,00
I-DWR 40-2-9.6	44	40	9,60
I-DWR 40-3-9.6	46	40	9,60
I-DWR 40-3-12.8	46	40	12,80
I-DWR 42-3-9.6	48	42	9,60
I-DWR 44-3-9.6	50	44	9,60
I-DWR 45-3-9.6	51	45	9,60
I-DWR 45-3-12.8	51	45	12,80
I-DWR 48-3-9.6	54	48	9,60
I-DWR 50-3-9.6	56	50	9,60
I-DWR 50-3-12.8	56	50	12,80
I-DWR 53-3-9.6	59	53	9,60
I-DWR 55-3-9.6	61	55	9,60
I-DWR 55-3-12.8	61	55	12,80
I-DWR 56-3-12.8	62	56	12,80
I-DWR 60-3-12.8	66	60	12,80
I-DWR 63-3-12.8	69	63	12,80



Item			
Identification	D (mm)	d (mm)	L (mm)
I-DWR 65-3-12.8	71	65	12,80
I-DWR 70-3-12.8	76	70	12,80
I-DWR 75-3-12.8	81	75	12,80
I-DWR 75-3-19.2	81	75	19,20
I-DWR 76-3-12.8	82	76	12,80
I-DWR 78-3-25	84	78	25,00
I-DWR 80-3-12.8	96	80	12,80
I-DWR 90-3-12.8	96	90	12,80
I-DWR 100-3-12.8	106	100	12,80
I-DWR 105-3-12.8	111	105	12,80
I-DWR 105-3-19.2	111	105	19,20
I-DWR 110-3-12.8	116	110	12,80
I-DWR 110-3-25.75	116	110	25,75
I-DWR 115-3-12.8	121	115	12,80
I-DWR 125-3-12.8	131	125	12,80
I-DWR 130-3-12.8	136	130	12,80
I-DWR 145-3-12.8	151	145	12,80
I-DWR 160-3-19.2	166	160	19,20
I-DWR 200-3-19.2	206	200	19,20