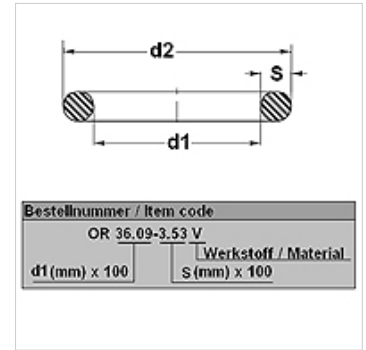


OR 70° Shore EPDM

O-ring 70SH EPDM sulphur cured

Properties

Design	O-ring
Temp. min.	-30 °C
Temp. max.	120 °C
Media	HFC, HFD, steam Air
Material	EPDM sulphur cured 70 Shore



Item

Identification	d1 (mm)	d2 (mm)	s (mm)
OR 7-3 E 70S	7,00	13,00	3,00
OR 12-2 E 70S	12,00	16,00	2,00
OR 15-2 E 70S	15,00	19,00	2,00
OR 20-2 E 70S	20,00	24,00	2,00