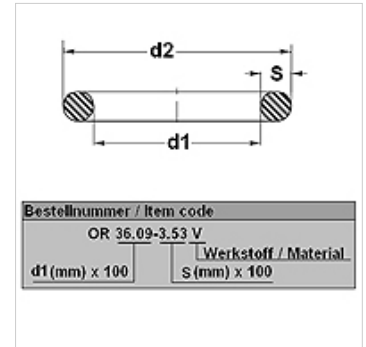


# OR 70° Shore Silicon

O-ring70SH silicone

## Properties

<b>Design</b>	O-ring
<b>Material</b>	Silicone 70 Shore



## Item

Identification	d1 (mm)	d2 (mm)	s (mm)
OR 36.09-3.53 S70	36,09	43,15	3,53
OR 266.29-3.53 S70	266,29	273,35	3,53
OR 304.39-3.53 S70	304,39	311,45	3,53
OR 329.57-7 S70	329,57	343,57	7,00