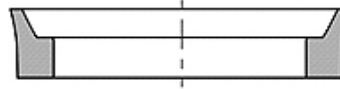
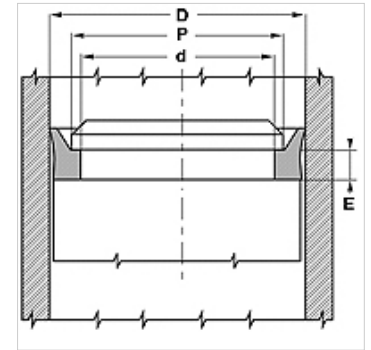


Properties

Design	Piston wiper
Sliding speed max.	0,5 m/s
Temp. min.	-30 °C
Temp. max.	80 °C
Media	Mineral oils
Installation	on one-piece pistons
Material	PUR



Toleranz / Tolerance			
D	d	E	P
H11	+0,10 0	+0,25 0	± 0,10



Description

Easy assembly.
Simple solution.
High abrasion resistance.

Ordering information

We are able to produce wipers with diameters of 20 to 510 mm with short lead times.

Item

Identification	d (mm)	D (mm)	E (mm)	P (mm)
PPW 040	31,4	40	5,3	37
PPW 050	41,4	50	5,3	47
PPW 060	51,4	60	5,3	57
PPW 063	54,4	63	5,3	60
PPW 075	66,4	75	5,3	72
PPW 080	71,4	80	5,3	77
PPW 090	81,4	90	5,3	87
PPW 095	86,4	95	5,3	92
PPW 100	91,4	100	5,3	97
PPW 110	101,4	110	5,3	107
PPW 115	106,4	115	5,3	112
PPW 125	116,4	125	5,3	122
PPW 140	131,4	140	5,3	137