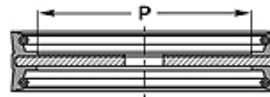
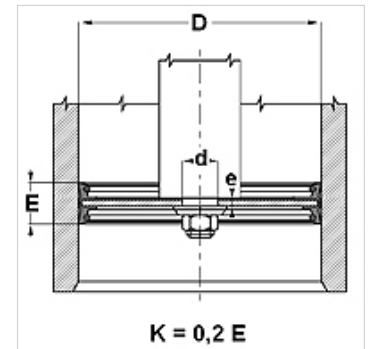


Properties

| | |
|---------------------------|---|
| Design | Complete pistons |
| Operating pressure | up to 40 bar |
| Sliding speed max. | 0,5 m/s |
| Temp. min. | -30 °C |
| Temp. max. | 110 °C |
| Media | Mineral oils Water-air |
| Installation | push onto piston recess with the rubber side and affix with washer and nut. |
| Material | NBR 85° Shore A, with steel core |
| Application | Hydraulics |



| Toleranz / Tolerance | | |
|----------------------|----|--------|
| D | d | E |
| H11 | f8 | ± 0,50 |



Description

Complete pistons.

Ordering information

For special operating conditions (fluid, temperature, pressure ...) please contact us.

Alternative material possible: FPM.

Item

| Identification | D (mm) | d (mm) | P (mm) | E (mm) | e (mm) |
|----------------|-----------|-----------|-----------|-----------|-----------|
| TDO 26 | 26 | 8,2 | 15,0 | 22 | 3,0 |
| TDO 30 | 30 | 8,2 | 16,0 | 22 | 3,0 |
| TDO 35 | 35 | 8,2 | 20,0 | 26 | 3,0 |
| TDO 40 | 40 | 10,2 | 20,0 | 22 | 3,0 |
| TDO 45 | 45 | 10,2 | 22,0 | 25 | 4,0 |
| TDO 50 | 50 | 10,2 | 27,0 | 25 | 4,0 |
| TDO 55 | 55 | 10,2 | 32,0 | 25 | 4,0 |
| TDO 60 | 60 | 12,2 | 37,0 | 26 | 4,0 |
| TDO 63 | 63 | 12,2 | 40,0 | 25 | 4,0 |
| TDO 70 | 70 | 12,2 | 44,0 | 30 | 5,0 |
| TDO 80 | 80 | 12,2 | 54,0 | 30 | 5,0 |
| TDO 100 | 100 | 12,2 | 72,0 | 35 | 6,0 |
| TDO 110 | 110 | 12,2 | 78,0 | 40 | 6,0 |
| TDO 115 | 115 | 20,2 | 83,0 | 30 | 8,0 |
| TDO 125 | 125 | 20,2 | 85,0 | 40 | 8,0 |
| TDO 140 | 140 | 20,2 | 100,0 | 40 | 10,0 |
| TDO 150 | 150 | 20,2 | 105,0 | 40 | 10,0 |
| TDO 200 | 200 | 20,2 | 146,0 | 40 | 10,0 |
| TDO 250 | 250 | 30,2 | 200,0 | 40 | 12,0 |
| TDO 300 | 300 | 35,2 | 250,0 | 40 | 12,0 |