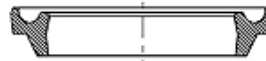
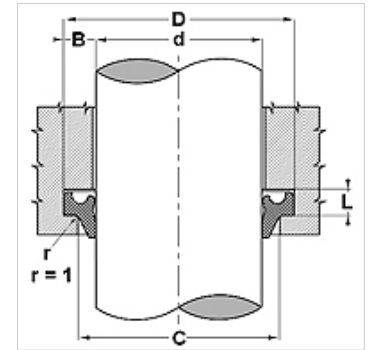


Properties

Design	Double wiper seal
Sliding speed max.	0,5 m/s
Temp. min.	-30 °C
Temp. max.	110 °C
Media	Mineral oils Water
Installation	bend the wiper into a kidney shape and press into the locating groove
Material	NBR
Application	Hydraulics



Toleranz / Tolerance			
d	D	L	C
H11	+0,20 0	+0,10 0	+0,20 0



Description

Easy assembly.
Also wipes off leak oil from seal chamber.

Ordering information

For special operating conditions (fluid, temperature, pressure ...) please contact us.
We are able to produce wipers with diameters of 20 to 510 mm with short lead times.
Alternative material possible: FPM.

Item

Identification	D (mm)	d (mm)	L (mm)	C (mm)
UWR 470 80	20,6	12,0	5,3	15,0
UWR 620 87	22,6	16,0	3,8	19,0
UWR 781 10	28,6	20,0	5,3	23,0
UWR 118 149	38,6	30,0	5,3	33,0
UWR 137 169	43,6	35,0	5,3	38,0
UWR 157 188	48,6	40,0	5,3	43,0
UWR 165 196	50,0	42,0	5,3	45,0
UWR 177 208	53,6	45,0	5,3	48,0
UWR 255 287	73,6	65,0	5,3	68,0
UWR 260 292	74,6	66,0	5,3	69,0
UWR 301 348	88,7	76,5	7,1	82,5
UWR 307 362	92,2	78,0	7,1	85,0