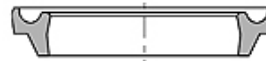
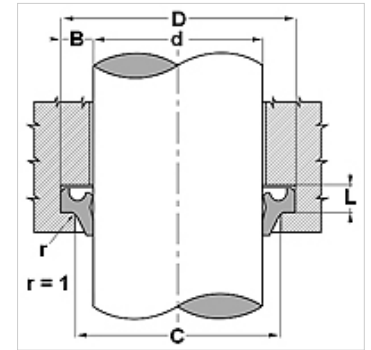


## Properties

|                           |                                                                       |
|---------------------------|-----------------------------------------------------------------------|
| <b>Design</b>             | Double wiper seal                                                     |
| <b>Sliding speed max.</b> | 0,5 m/s                                                               |
| <b>Temp. min.</b>         | -30 °C                                                                |
| <b>Temp. max.</b>         | 80 °C                                                                 |
| <b>Media</b>              | Mineral oils                                                          |
| <b>Installation</b>       | bend the wiper into a kidney shape and press into the locating groove |
| <b>Material</b>           | PUR                                                                   |
| <b>Application</b>        | Hydraulics                                                            |



| Toleranz / Tolerance |            |            |            |
|----------------------|------------|------------|------------|
| d                    | D          | L          | C          |
| h11                  | +0,20<br>0 | +0,10<br>0 | +0,20<br>0 |



## Description

Easy assembly.  
Also wipes off leak oil from seal chamber.

## Item

| Identification | d<br>(mm) | D<br>(mm) | L<br>(mm) | C<br>(mm) |
|----------------|-----------|-----------|-----------|-----------|
| UWR-P 12       | 12        | 18,6      | 3,8       | 15,0      |
| UWR-P 18       | 18        | 24,6      | 3,8       | 21,0      |
| UWR-P 20       | 20        | 28,6      | 5,3       | 23,0      |
| UWR-P 22       | 22        | 30,6      | 5,3       | 25,0      |
| UWR-P 24       | 24        | 32,6      | 5,3       | 27,0      |
| UWR-P 25-1     | 25        | 25,0      | 4,0       | 27,5      |
| UWR-P 25       | 25        | 33,6      | 5,3       | 28,0      |
| UWR-P 28-1     | 28        | 28,0      | 5,0       | 31,0      |
| UWR-P 28       | 28        | 36,6      | 5,3       | 31,0      |
| UWR-P 30       | 30        | 38,6      | 5,3       | 33,0      |
| UWR-P 32       | 32        | 40,6      | 5,3       | 35,0      |
| UWR-P 35-1     | 35        | 35,0      | 5,0       | 38,0      |
| UWR-P 35       | 35        | 43,6      | 5,3       | 38,0      |
| UWR-P 36       | 36        | 44,6      | 5,3       | 39,0      |
| UWR-P 40       | 40        | 48,6      | 5,3       | 43,0      |
| UWR-P 45       | 45        | 53,6      | 5,3       | 48,0      |
| UWR-P 50-1     | 50        | 50,0      | 5,0       | 53,0      |
| UWR-P 50       | 50        | 58,6      | 5,3       | 53,0      |
| UWR-P 55       | 55        | 63,6      | 5,3       | 58,0      |
| UWR-P 56       | 56        | 64,6      | 5,3       | 59,0      |
| UWR-P 60       | 60        | 68,6      | 5,3       | 63,0      |
| UWR-P 63       | 63        | 71,6      | 5,3       | 66,0      |
| UWR-P 65       | 65        | 73,6      | 5,3       | 68,0      |
| UWR-P 70       | 70        | 78,6      | 5,3       | 73,0      |
| UWR-P 75       | 75        | 83,6      | 5,3       | 78,0      |
| UWR-P 80       | 80        | 88,6      | 5,3       | 83,0      |
| UWR-P 85       | 85        | 97,2      | 7,1       | 91,0      |
| UWR-P 90-1     | 90        | 90,0      | 6,0       | 93,0      |
| UWR-P 90       | 90        | 102,2     | 7,1       | 96,0      |
| UWR-P 100      | 100       | 112,2     | 7,1       | 106,0     |
| UWR-P 110      | 110       | 122,2     | 7,1       | 116,6     |