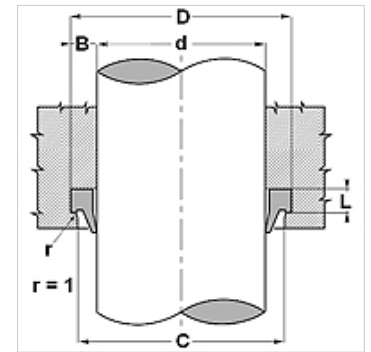


Properties

Design	Wipers
Sliding speed max.	0,8 m/s
Temp. min.	-30 °C
Temp. max.	80 °C
Media	Mineral oils
Installation	bend the wiper into a kidney shape and press into the locating groove
Design	Inches
Material	PUR
Application	Hydraulics



Toleranz / Tolerance			
d	D	L	C
h11	+0,20 0	+0,10 0	+0,20 0



Description

Easy assembly.
Simple solution.
High abrasion resistance.

Ordering information

We are able to produce wipers with diameters of 20 to 510 mm with short lead times.

Item

Identification	d (mm)	D (mm)	L (mm)	C (mm)
WRM-PI 050 075	12,70	19,06	3,2	16,76
WRM-PI 075 112	28,57	28,57	4,8	24,88
WRM-PI 087 125	22,22	31,75	4,8	28,45
WRM-PI 100 137	25,40	34,92	4,8	31,62
WRM-PI 112 150	28,57	38,10	4,8	34,80
WRM-PI 125 162	31,75	41,27	4,8	37,97
WRM-PI 137 175	34,92	44,45	4,8	41,14
WRM-PI 150 187	38,10	47,62	4,8	44,32
WRM-PI 162 200	41,27	50,80	4,8	47,50
WRM-PI 175 212	44,45	53,97	4,8	50,67
WRM-PI 200 250	50,80	63,50	6,4	59,18
WRM-PI 225 275	57,15	69,85	6,4	65,46
WRM-PI 250 300	63,50	76,20	6,4	71,81
WRM-PI 262 312	66,67	79,37	6,4	74,98
WRM-PI 300 350	76,20	88,90	6,4	84,51
WRM-PI 350 400	88,90	101,60	6,4	97,20
WRM-PI 450 500	114,30	127,00	6,4	122,61