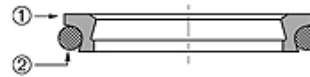
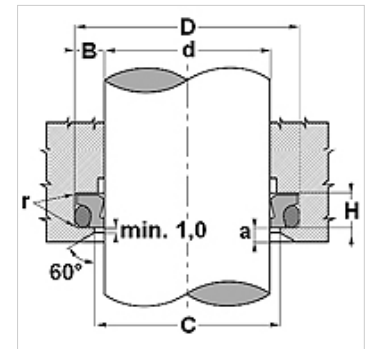


Properties

Design	Wipers
Sliding speed max.	2,0 m/s
Temp. min.	-30 °C
Temp. max.	110 °C
Media	Mineral oils
Installation	first bend the O-ring and then the PTFE ring into a kidney shape and press into the locating groove (from 30 mm).
Material	(1) Dynamic seal: H-PU D55 (2) Static seal: NBR
Application	Hydraulics



Toleranz / Tolerance			
d	D	C	L
f8 / h9	H9	H11	0 +0,20



Description

- Low dynamic friction.
- High abrasion resistance.
- Low spatial requirement.
- Long service life.
- Extremely good wiper effect from inside against the residual oil film on the surface of the rod.

Item

Identification	d (mm)	D (mm)	H (mm)	C (mm)
WTFP 0250 BPU40447	25	32,6	4,2	26,5
WTFP 0350 BPU40447	35	42,6	4,2	36,5
WTFP 0500 BPU40447	50	58,8	6,3	51,5
WTFP 0550 BPU40447	55	63,8	6,3	56,5
WTFP 0560 BPU40447	56	64,8	6,3	57,5
WTFP 0600 BPU40447	60	68,8	6,3	61,5
WTFP 0700 BPU40447	70	82,2	8,1	72,0
WTFP 0750 BPU40447	75	87,2	8,1	77,0
WTFP 0800 BPU40447	80	92,2	8,1	82,0
WTFP 0900 BPU40447	90	102,2	8,1	92,0
WTFP 0950 BPU40447	95	107,2	8,1	97,0
WTFP 1000 BPU40447	100	112,2	8,1	102,0
WTFP 1100 BPU40447	110	122,2	8,1	112,0
WTFP 1400 BPU40447	140	156,0	9,5	142,5