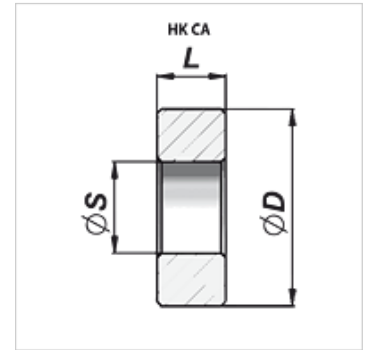
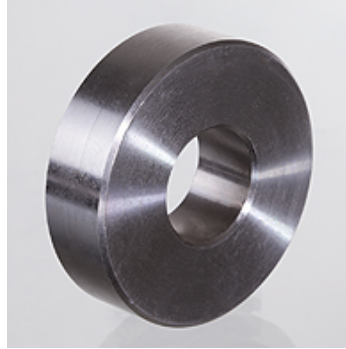


HK CA

Inserted piston without plunger cylinder guide

Properties

Material Steel S355J0 (Fe510C)



Item

Identification	Ø D (mm)	Ø S (mm)	L (mm)	Weight (kg)
HK CA 35	34,0	15	10	0,06
HK CA 40	38,0	20	15	0,10
HK CA 45	43,0	20	15	0,13
HK CA 50	48,0	20	20	0,23
HK CA 60	58,0	27	20	0,32
HK CA 70	68,0	27	20	0,48