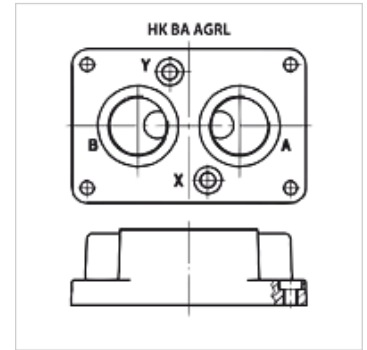


HK BA AGRL

Mounting plate for non-return valve AGRL

Properties

Scope of supply	incl. set of screws
Material	Material: Steel (350 bar)
Connection	ISO/Cetop P



Item

Identification	for valve type	Stations	Connections	Height (mm)	Width (mm)	Length (mm)	Scope of supply	Weight (kg)
HK BA 305	HK AGL 10	Single connection	A+B 1/2" bottom; X+Y 1/4" bottom	30	90	113	incl. screw set (4x M10 x 45)	1,0
HK BA 505	HK AGL 20	Single connection	A+B 1" bottom; X+Y 1/4" bottom	42	103	133	incl. screw set (4x M10 x 45)	2,0
HK BA 705 A	HK AGL 32	Single connection	A+B 1.1/2" bottom; X+Y 1/4" bottom	60	121	184	incl. screw set (6x M10 x 100)	7,5

Accessory for following products

HK AGRL	Non-return valve for plate mounting Cetop P
---------	---